

Thank you for choosing a Pro Armor Off-Road LED. We expect that you will enjoy your new product for years to come. To maximize the performance and safety of this product, we highly recommend that you read through this manual before starting installation.

Tools

Required – Hex Key, Drill, Bit Set, Wire-strippers, Etc.
Recommended – Voltage Meter

Included

- 1 LED assembly with all lamps pre-installed
- Mounting hardware kit

Caution

- Confirm your riding area laws regarding operation of accessory lighting
- Only use this product in the recommended range of 9 – 15 volts
- The aluminum housing is a heatsink. Keep the housing clean and exposed to open air
- During normal operation, the light will become hot. Do not readjust or touch the lamps until you confirm the lamp is cool to the touch
- Disconnect the main ground on your machine before installation begins
- Route new wires through existing looms or along similar paths to avoid moving components. Use zip ties to secure wires.

Mounting

Surface Mount

- 1 – Install the side mount hardware on the light, finger tight only
- 2 – Drill holes in surface for desired location, use supplied hardware to secure, hand tighten only

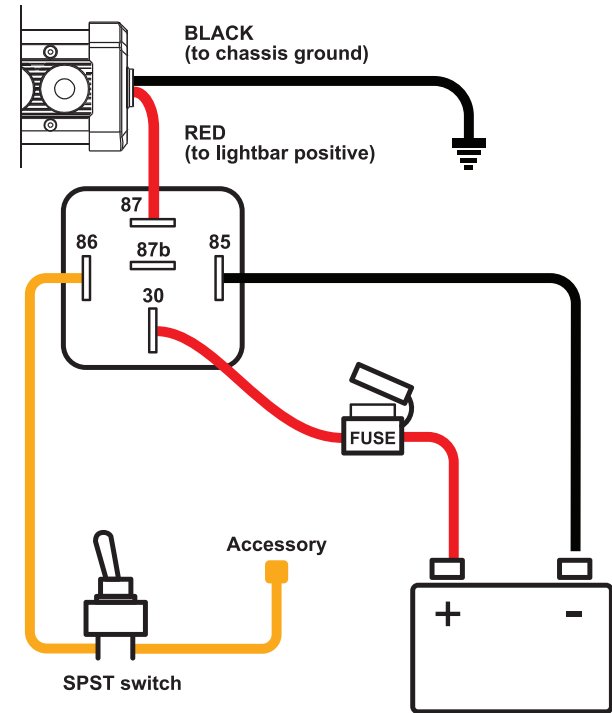
Setting The Spot / Flood

Once all electrical connections are made, test the lights and set your aim. Best to shoot about 20 feet from a flat surface to check height.

After the aim is set. Tighten down all connections and move the machine outside to check your final aim on a trail. If you need to readjust, start again but, remember the until will be hot.

Wiring

Use a Bosch 30A relay and SPST style switch to wire your light. Follow this illustration to properly connect the light to the 12volt power source and ground.



The wiring and connections should be secure and away from any moving parts or extremely hot surfaces.



3 WATT CREE LED'S



IPX67
WATERPROOF/DUSTPROOF



EXTRUDED ALUMINUM
HEATSINK

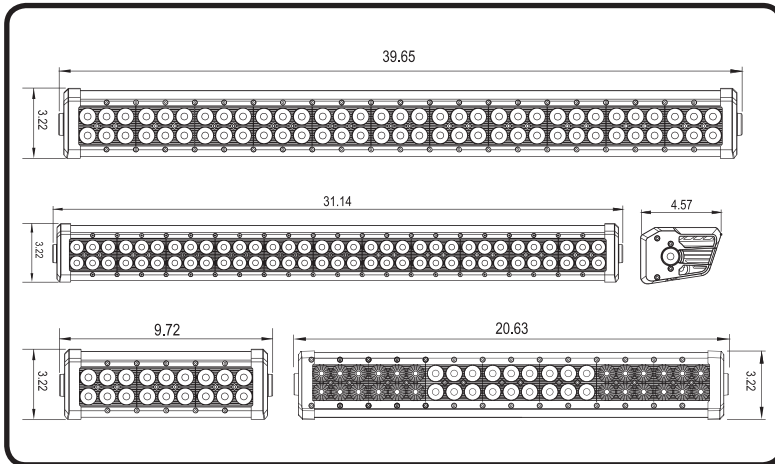


PRECISION CAST
END PANELS

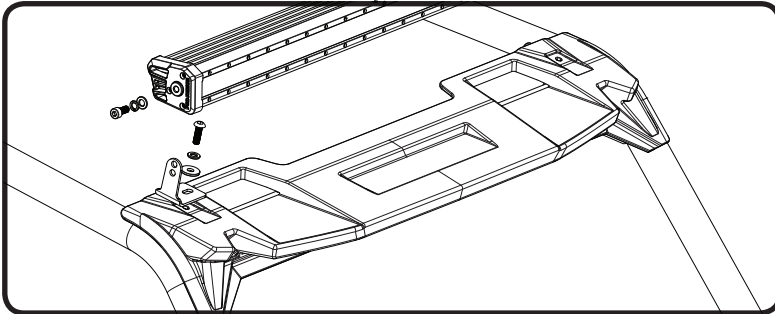
Specs

- High density extruded aluminum heatsink
- Precision cast end panels
- Bezel-free design is more watertight
- IPX67 certified waterproof and dustproof design
- Highest quality LED optics used throughout
- Top quality 3 watt CREE LED's
- Included wiring with Deutsch quick disconnect
- Includes end mounts in package

Dimensions



Mounting for Polaris RZR

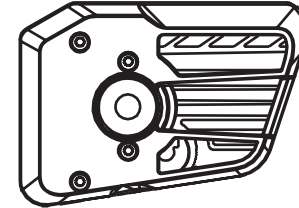
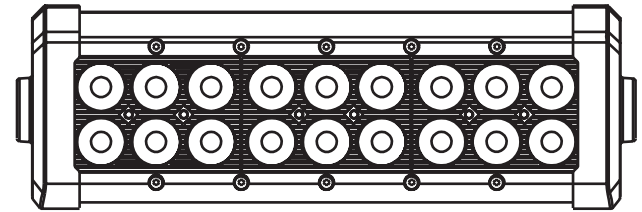


www.proarmor.com

PRO ARMOR



Instruction Manual



Dual Row 10"
2882075 SPOT
2882311 FLOOD

Dual Row Combo 20"
2883107

Dual Row Combo 30"
2882074

Dual Row Combo 40"
A16UL170

Pro Armor Dual Row