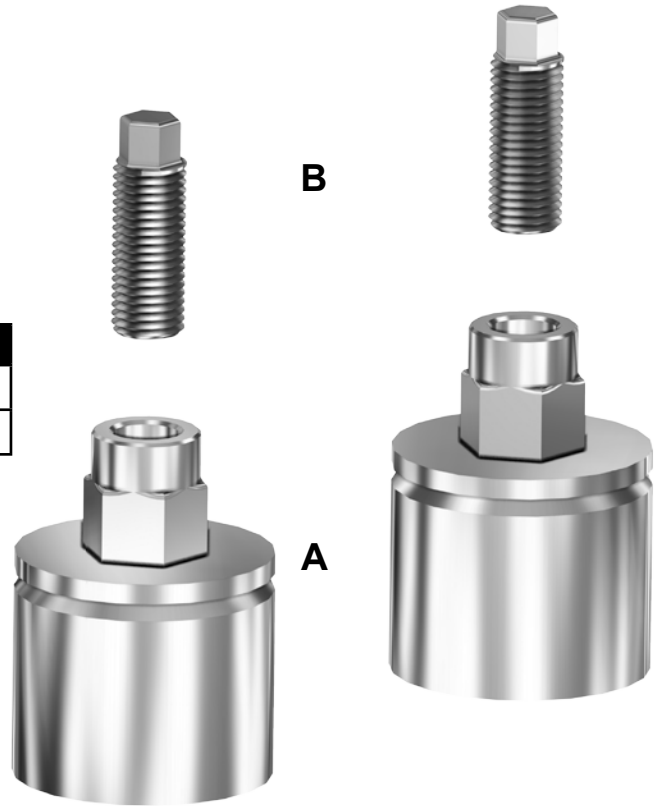


## INSTALLATION INSTRUCTIONS

### EZ Install 2" Lift Kit (Front Only) for Polaris Sportsman<sup>®</sup> and Ranger<sup>®</sup>

This product is designed, and manufactured, to gain additional ground clearance on utility vehicles and to be used at slower speeds on level terrains. Installation of this product increases angle of Axles which may result in frequency of required maintenance and parts wear. It is recommend that wider Tires or Wheel Spacers be used, in conjunction, with this kit to improve stability.

Item	Description	Qty
A	Adapter	2
B	Adapter Screw	2



#### Liability Statement

SuperATV's<sup>®</sup> products are designed to best fit user's ATV/UTV under stock conditions. Adding, modifying, or fabricating any factory or aftermarket parts will void any warranty provided by SuperATV<sup>®</sup> and is not recommended. SuperATV's<sup>®</sup> products could interfere with other aftermarket accessories. If user has aftermarket products on machine, contact SuperATV<sup>®</sup> to verify that they will work together.

Although SuperATV<sup>®</sup> has thousands of satisfied customers, user should be aware that installing lift kits, long travel, or suspension kits, tires, etc. will change the ride of machine and may increase maintenance and part wear. Operating any off-road machine while, or after, consuming alcohol and/or drugs increases risk of bodily harm or death. No warranty or representation is made as to this product's ability to protect user from severe injury or death. SuperATV<sup>®</sup> urges operators and occupants to wear a helmet and appropriate riding gear at all times.

By purchasing and installing SuperATV<sup>®</sup> products, user agrees that should damages occur, SuperATV<sup>®</sup> will not be held responsible for loss of time, use, labor fees, replacement parts, or freight charges. SuperATV<sup>®</sup>, nor any 3rd party, will not be held responsible for any direct, indirect, incidental, special, or consequential damages that result from any product purchased from SuperATV<sup>®</sup>. The total liability of seller to user for all damages, losses, and causes of action, if any, shall not exceed the total purchase price paid for the product that gave rise to the claim.

SuperATV<sup>®</sup> will warranty only parts provided by SuperATV<sup>®</sup>. Any damage or problems with OEM housings, bearings, seals, or other manufacturers' products will not be covered by SuperATV<sup>®</sup>. SuperATV<sup>®</sup> parts and products are not warranted if item was not installed properly, misused, or modified.

Installing, adding, modifying, or fabricating any factory or aftermarket product to your ATV/UTV may violate certain local, state, and federal laws. Be advised that laws vary depending on town, city, county, state, etc. Use of certain products on public streets, roads, or highways may be in violation law. The Buyer is solely and exclusively legally and personally responsible for any violation of the law by the installation or use of the product. You must abide by all local, state, and federal laws, including but not limited to vehicle safety, traffic laws, and ordinances. It is your responsibility to know the laws and how they apply to you.

The Buyer is responsible to fully understand the capability and limitations of his/her vehicle according to manufacturer specifications, warnings and instructions and agrees to hold SuperATV<sup>®</sup> harmless from any damage resulting from failure to adhere to such specifications, warnings and/ or instructions. The Buyer is also responsible to obey all applicable federal, state, and local laws and ordinances when operating his/her vehicle while using this product, and the Buyer agrees to hold SuperATV<sup>®</sup> harmless from any violation thereof.

#### Need help with your installation?



sales@superatv.com



www.superatv.com



1-855-743-3427



8:00am - 9:00pm EST M-Th  
8:00am - 7:00pm EST Friday  
9:00am - 2:00pm EST Saturday

Read instructions and view illustrations before beginning.

Thank You

For Choosing

# SUPERATV<sup>®</sup>.COM

(Installation on Polaris Sportsman shown )

Model Years 2004 or older, start with Step 5.

**Do not tighten hardware completely unless noted.**  
**Keep all hardware for reuse.**

1. Remove front box.
2. Remove (4) Center Bolts of Rack. See Fig. 1.
3. Remove (4) Star Screws from bottom of Rack. See Fig. 2.
4. Remove (4) Star Screws from top of Rack. See Fig. 3; Remove Rack.
5. Raise front of machine off ground. Do not raise to high (2" is recommended) as some Axles, on certain models, can come out of Lower CV Joints.
6. Remove Hex Locknut, Washer, and plastic Bearing from top of Strut assembly. Pull top of Strut from Frame.
7. Remove round plastic Bearing from top of strut and screw on Adapter (A). Tighten. See Fig. 4.
8. Place round plastic Bearing back on top of Adapter (A) and place Strut assembly into Frame. Install Adapter Screw (B). Tighten. See Fig. 4.
9. Repeat steps for opposite side.
10. Reinstall components removed in Step 6.
11. Cut a notch in Wheel Well Panels for Brake Line clearance. See Fig. 5.



Fig. 1

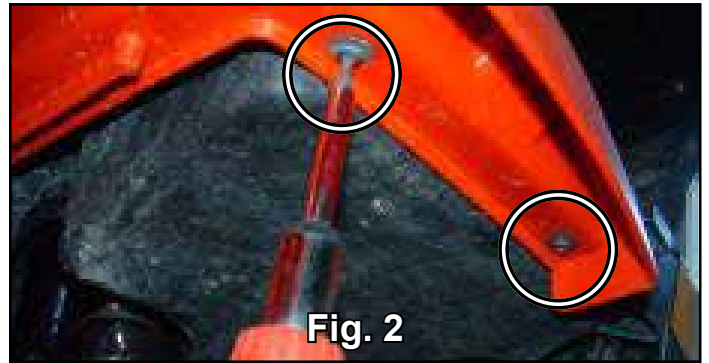


Fig. 2



Fig. 3

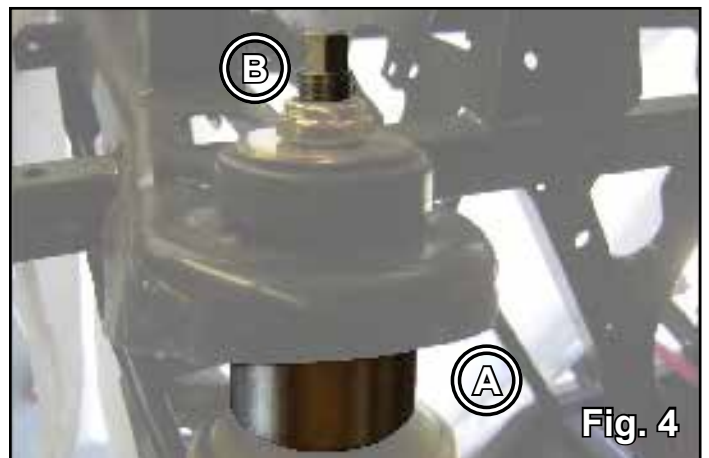


Fig. 4

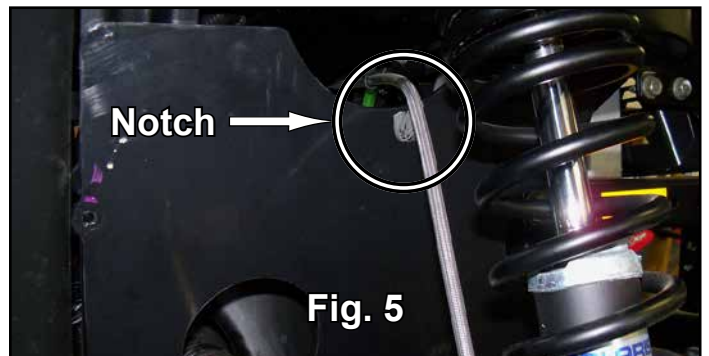


Fig. 5