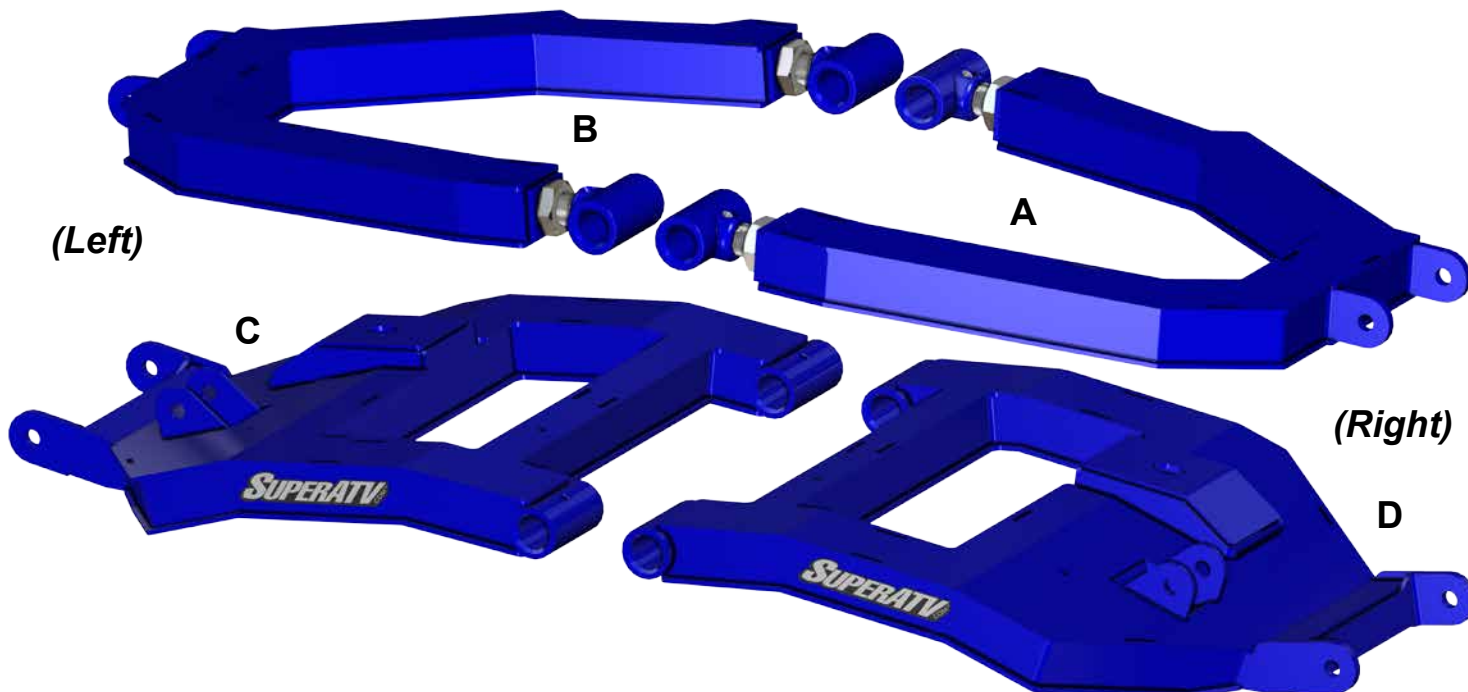


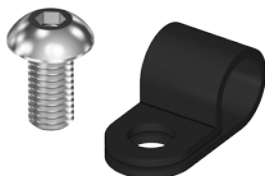
INSTALLATION INSTRUCTIONS

High Clearance Boxed Rear A-Arms: for Polaris Ranger[®]

Item	Description
A	Upper A-Arm, Right
B	Upper A-Arm, Left
C	Lower A-Arm, Left
D	Lower A-Arm, Right



4x
Brake Line Clip
and hardware



Visit SuperATV.com for A-Arm installation video.

Need help with your installation?



sales@superatv.com



www.superatv.com



1-855-743-3427



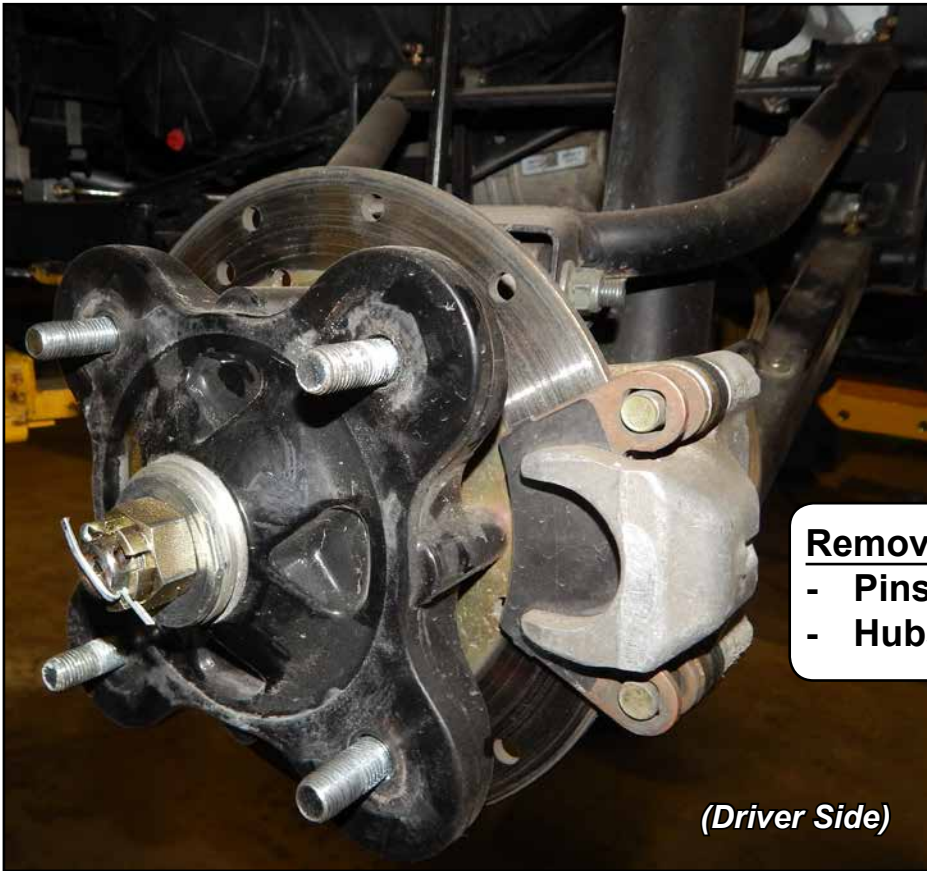
8:00am - 9:00pm EST M-Th
8:00am - 7:00pm EST Friday
9:00am - 2:00pm EST Saturday

Read instructions and view illustrations before beginning.

Thank You
For Choosing



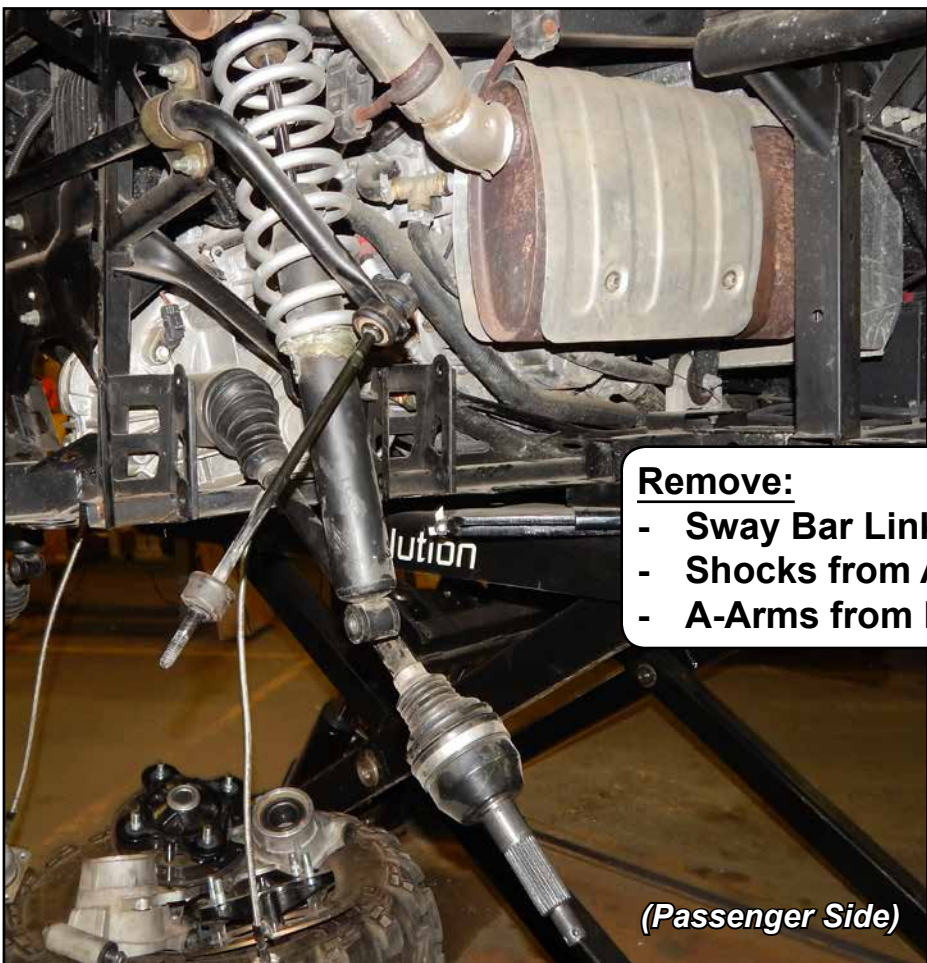
Removal: *Keep all components removed from machine.*



(Driver Side)

Remove:

- Pins, Axle Nuts, and Washers
- Hubs and Bearings



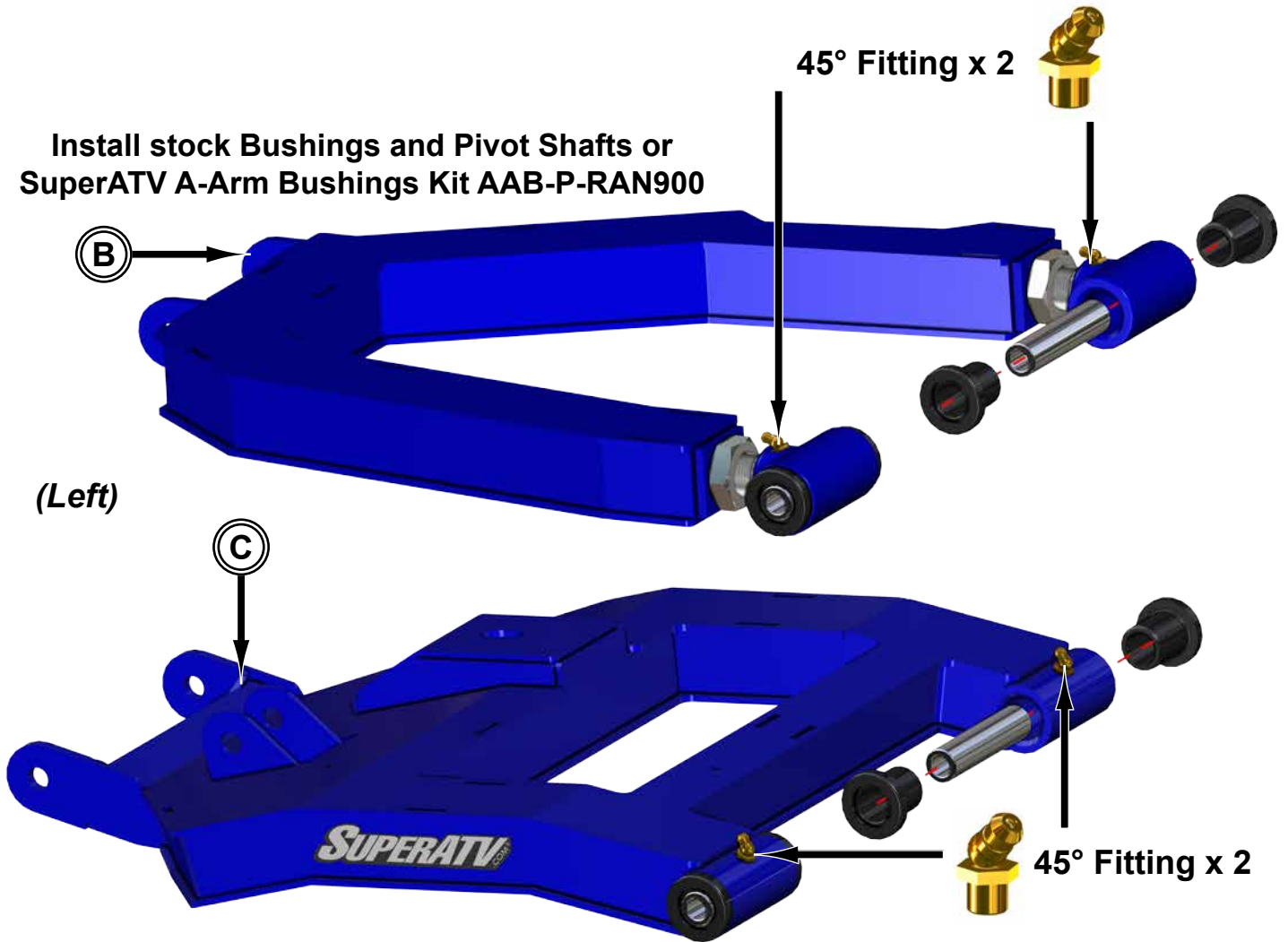
Remove:

- Sway Bar Links from A-Arms
- Shocks from A-Arms
- A-Arms from Frame

(Passenger Side)

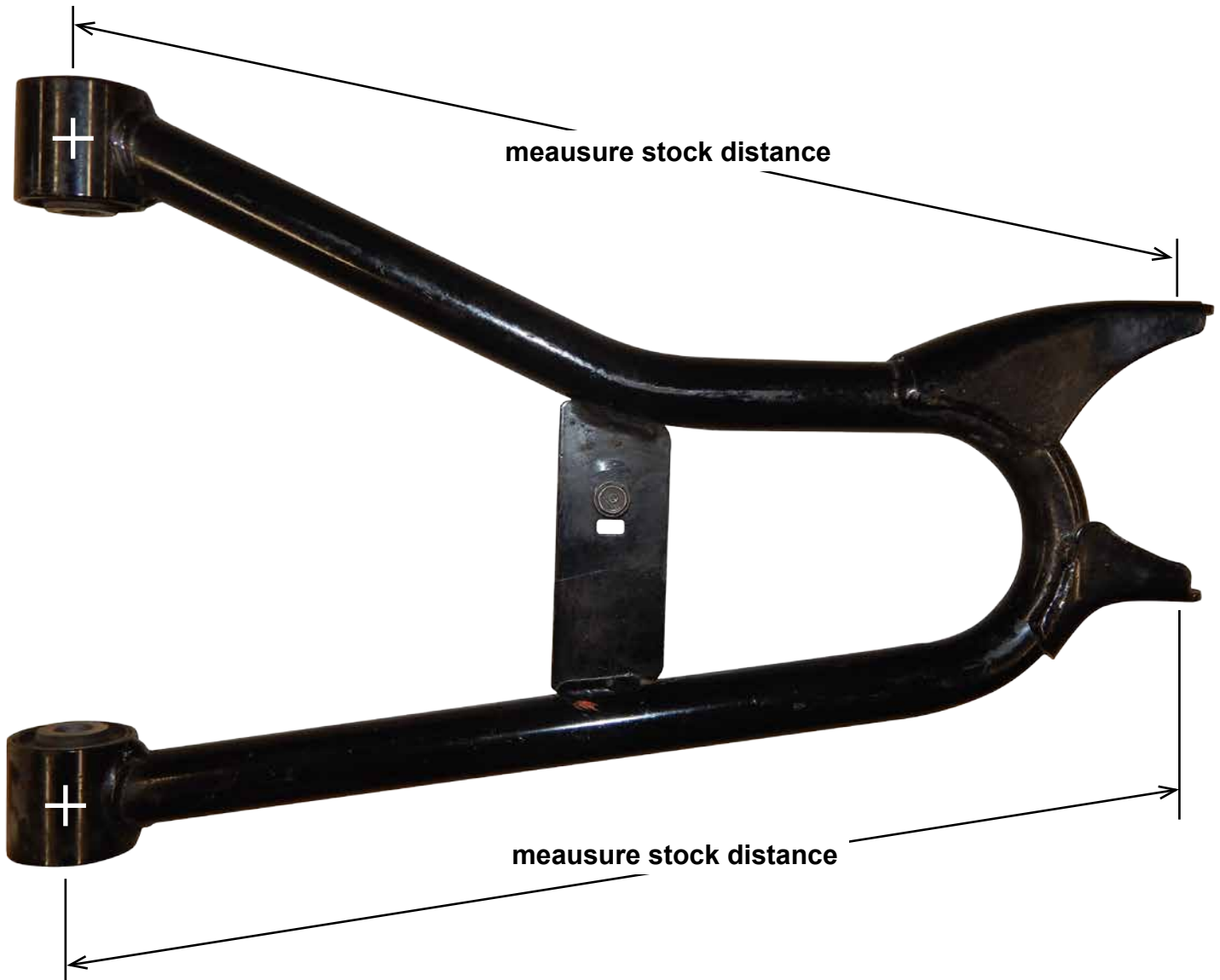
Prep:

- From stock A-Arms, transfer Bushings into new A-Arms or install SuperATV p/n AAB-P-RAN900 A-Arm Bushings Kit.
- If not present, install new Grease Fittings into new A-Arms.



PIVOT BLOCK SETTINGS

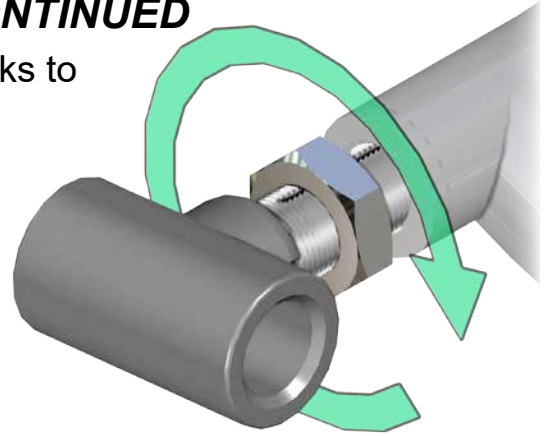
- Place stock A-Arms onto a flat surface and take measurements as shown.
- Record numbers.



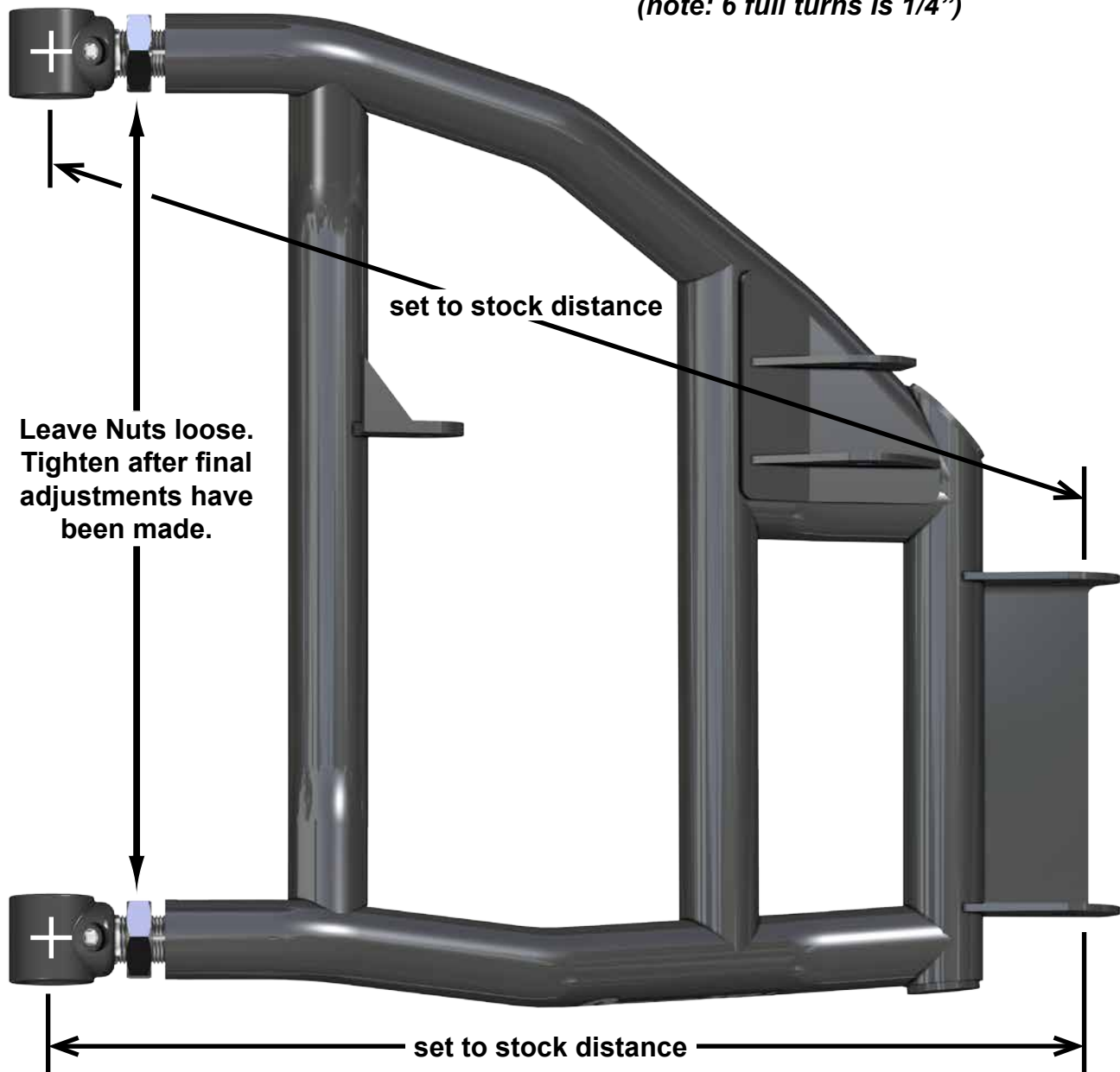
***TAKE ALL MEAUREMENTS FROM CENTER OF PIVOT TUBE
TO CENTER OF BOLT HOLES AT END OF ARM.***

PIVOT BLOCK SETTINGS CONTINUED

- Place new A-Arms onto a flat surface and set Pivot Blocks to measurements previously recorded.

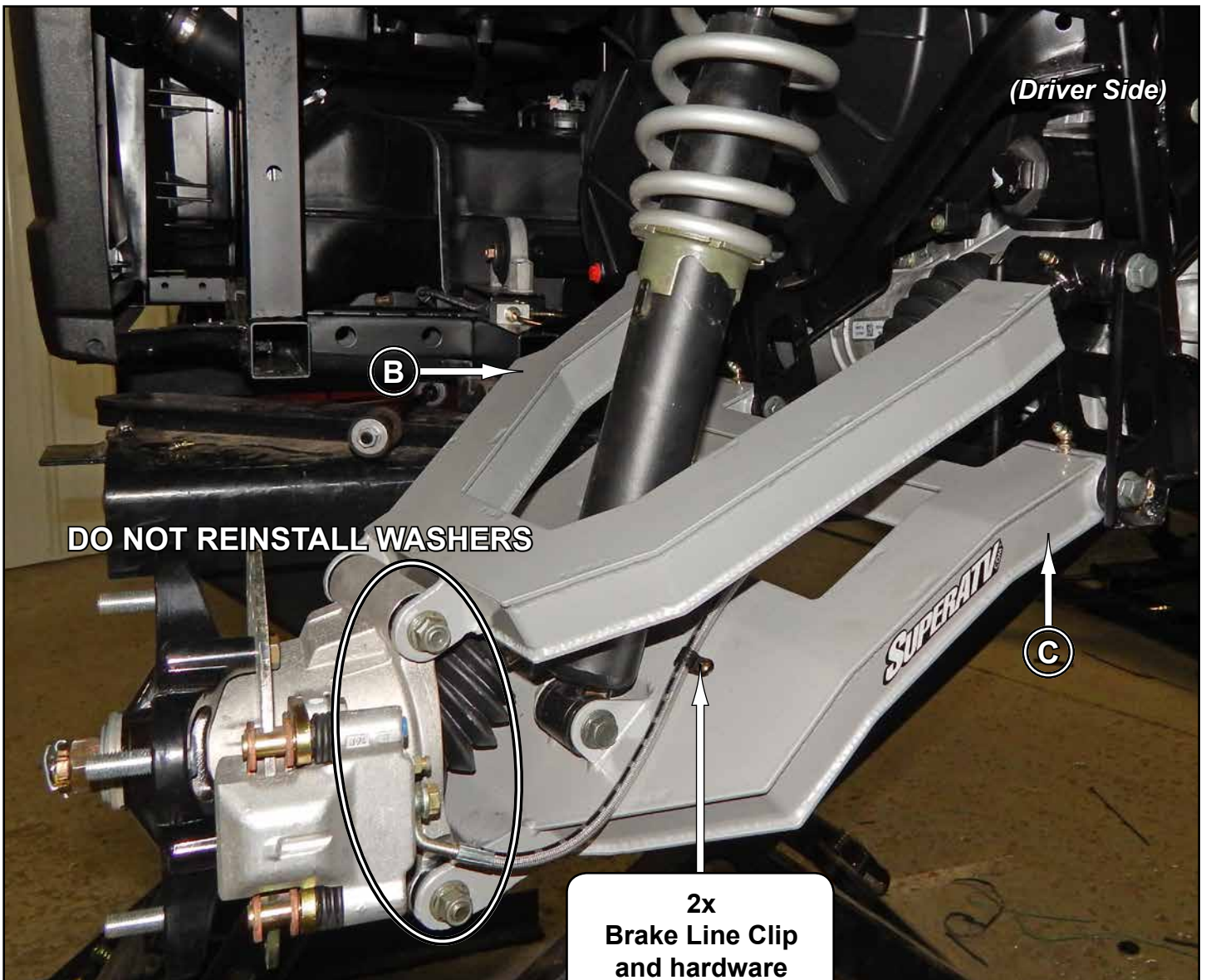


1 full turn, 360°, of Pivot Block is 1mm of adjustment.
(note: 6 full turns is 1/4")



**TAKE ALL MEASUREMENTS FROM CENTER OF PIVOT TUBE
TO CENTER OF BOLT HOLES AT END OF ARM.**

- Install Upper A-Arms to Frame with stock hardware. SuperATV recommends using Loc-Tite on Nuts. **DO NOT REINSTALL WASHERS.**
- Install Lower A-Arms to Frame with stock hardware. **DO NOT REINSTALL WASHERS. Do not install Nuts until all final adjustments have been completed.**
- Install Wheel Bearing Carriers to A-Arms with stock hardware. **Do not install Nuts to Lowers until all final adjustments have been completed.**
- Reinstall Shocks and Sway Bar Links with stock hardware.
- Reinstall Tires and see following page for Camber adjustments if required.
- Add Nuts to previously installed hardware and tighten completely. SuperATV recommends using Loc-Tite on Nuts when installing.



- Secure Brake Lines to new A-Arms with provided Brake Line Clips and hardware.

FRONT TIRES MUST HAVE EQUAL AIR PRESSURE BEFORE MAKING ANY ADJUSTMENTS.

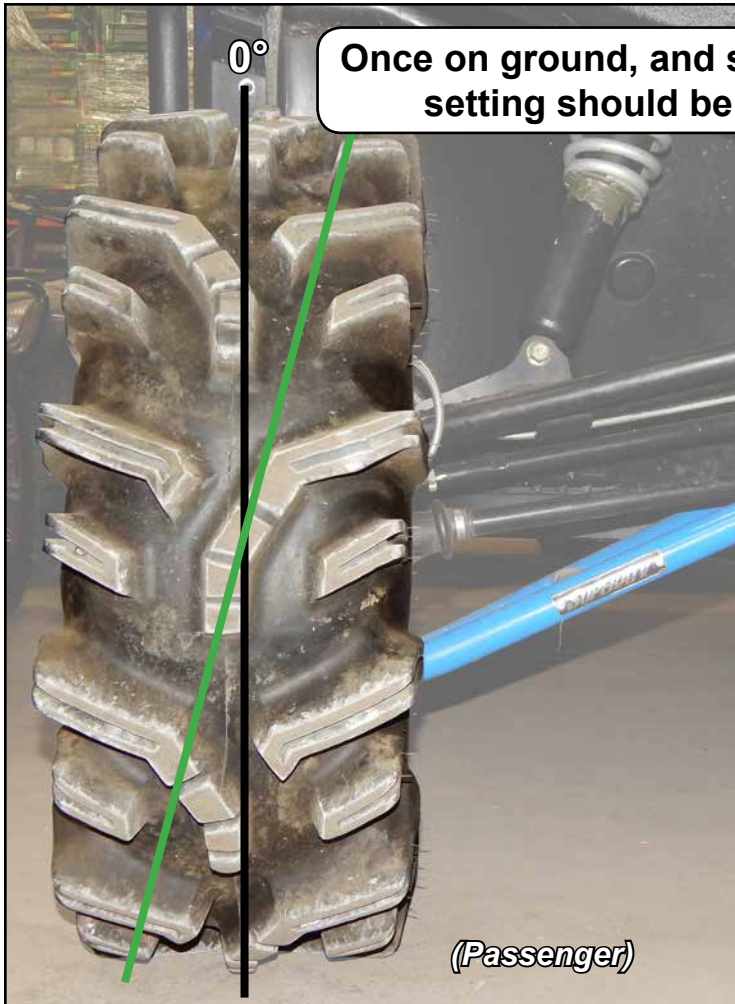
CAMBER



Perform adjustments in small increments.



Adjustments are to be made after all suspension components have been completely assembled.
Tires must not be in contact with ground when making adjustments.

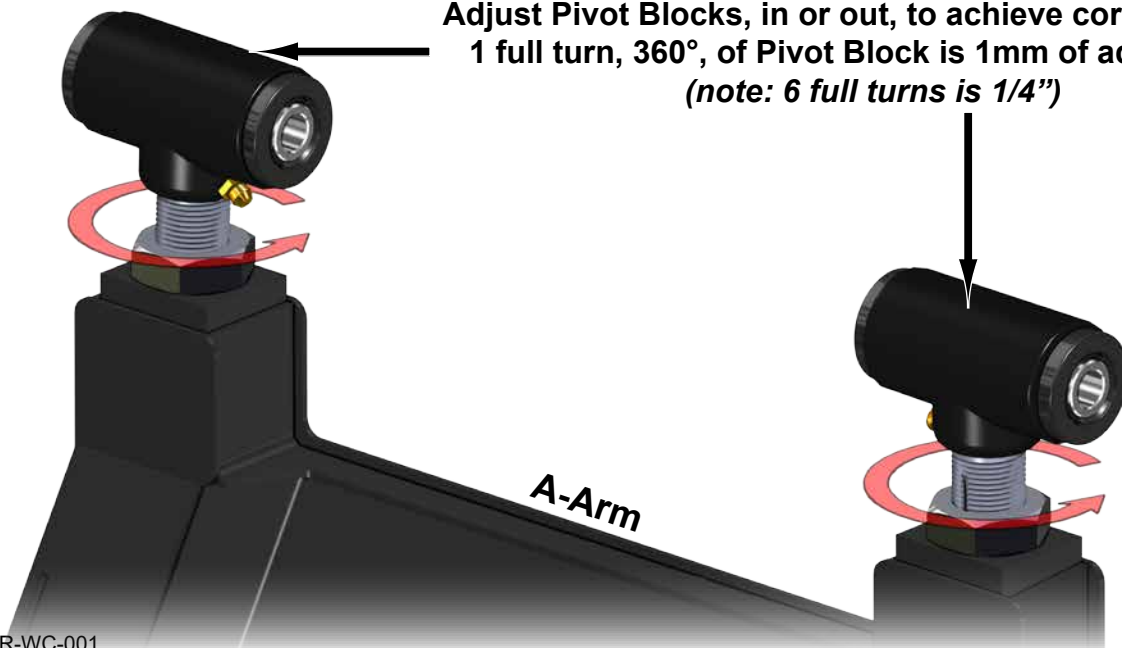


Once on ground, and suspension is settled,
setting should be: negative 1° - 2°

(Passenger)

1. Raise machine so that tires are off ground.
 2. Remove A-Arms from Frame and turn Pivot Blocks to adjust camber. Reinstall Arms.
 3. Lower machine and settle suspension components by rolling machine back and forth several feet at a time.
 4. Check settings and make small adjustments as needed.
- Each time an adjustment is made, machine must be rolled back and forth to settle suspension components.

Adjust Pivot Blocks, in or out, to achieve correct setting.
1 full turn, 360°, of Pivot Block is 1mm of adjustment.
(note: 6 full turns is 1/4")



Liability Statement

SuperATV's® products are designed to best fit user's ATV/UTV under stock conditions. Adding, modifying, or fabricating any factory or aftermarket parts will void any warranty provided by SuperATV® and is not recommended. SuperATV's® products could interfere with other aftermarket accessories. If user has aftermarket products on machine, contact SuperATV® to verify that they will work together.

Although SuperATV® has thousands of satisfied customers, user should be aware that installing lift kits, long travel, or suspension kits, tires, etc. will change the ride of machine and may increase maintenance and part wear. Operating any off-road machine while, or after, consuming alcohol and/or drugs increases risk of bodily harm or death. No warranty or representation is made as to this product's ability to protect user from severe injury or death. SuperATV® urges operators and occupants to wear a helmet and appropriate riding gear at all times.

By purchasing and installing SuperATV® products, user agrees that should damages occur, SuperATV® will not be held responsible for loss of time, use, labor fees, replacement parts, or freight charges. SuperATV®, nor any 3rd party, will not be held responsible for any direct, indirect, incidental, special, or consequential damages that result from any product purchased from SuperATV®. The total liability of seller to user for all damages, losses, and causes of action, if any, shall not exceed the total purchase price paid for the product that gave rise to the claim.

SuperATV® will warranty only parts provided by SuperATV®. Any damage or problems with OEM housings, bearings, seals, or other manufacturers' products will not be covered by SuperATV®. SuperATV® parts and products are not warrantied if item was not installed properly, misused, or modified.

Installing, adding, modifying, or fabricating any factory or aftermarket product to your ATV/UTV may violate certain local, state, and federal laws. Be advised that laws vary depending on town, city, county, state, etc. Use of certain products on public streets, roads, or highways may be in violation law. The Buyer is solely and exclusively legally and personally responsible for any violation of the law by the installation or use of the product. You must abide by all local, state, and federal laws, including but not limited to vehicle safety, traffic laws, and ordinances. It is your responsibility to know the laws and how they apply to you.

The Buyer is responsible to fully understand the capability and limitations of his/her vehicle according to manufacturer specifications, warnings and instructions and agrees to hold SuperATV® harmless from any damage resulting from failure to adhere to such specifications, warnings and/ or instructions. The Buyer is also responsible to obey all applicable federal, state, and local laws and ordinances when operating his/her vehicle while using this product, and the Buyer agrees to hold SuperATV® harmless from any violation thereof.