

**Contact Us: *FACTORY UTV LLC***

9237 Beatty Drive Sacramento, CA 95826

Phone : (916) 383-2730

E-mail : [info@factoryutv.net](mailto:info@factoryutv.net)

Go online: [www.Factoryutv.net](http://www.Factoryutv.net)



## **U.H.M.W. Skid Plate / Under Armor Package**

*Ultra. High. Molecular. Weight. polyethylene all terrain skid plate / under armor kit for UTV's*

### **Installation Guide (Ultimate Package)**

# *Polaris*

## **General 1000 EPS 2016-2020+**

*(Standard and High Clearance)*



# Polaris General 1000 EPS 2016+ Instructions

#1a

**Remove stock skid plate. Re-use stock hardware as needed in all ( A ) locations.**

Remove (4x) T-40 Torx bolts from each plastic side panel to help remove skid. (see figure on bottom of page 3.)  
**Install Extension bracket at rear of vehicle.**

Use: (2x) stock bolts with out washers in rear skid ( A ) location, to hold extension bracket in place during rear skid install.  
Re-install each bolt with a counter sunk washer after skid plates are mounted in place In further steps.

Ensure to install bracket with j-clip tip's pointing inward toward vehicle

#1b

## **Rear Skid Plate :**

Install: (2x) M6-1.0 x 30mm Flange Bolts in *Rear skid: ( E ) locations.*

Install: (3x) Stock bolts in *Rear skid: ( A ) locations.* \*(note previous step and adjust to fit)

Mark, drill and Install: (2x) ¼"-20 x 1" Self Tapping Bolts in *Rear skid: ( C ) locations.* \*(See Drilling Instructions Below)\*

#2

## **Main Skid Plate :**

Install: (5x) Stock Bolts in *Main Skid: ( A ) locations.* Align edge with rear skid,

Install: (2x) M6-1.0 x 25mm Flange Bolts in *Center Main Skid: ( D ) locations.*

Install: (4x) M6-1.0 x 25mm Flange Bolts with "D" Clamps over tubing in *Main Skid: ( D\* ) locations.*

Defer side ( B ) locations Until Step (#4)



#3

## **Diff. Skid Plate :**

\*(See Drilling Instructions Below)\* Align edge with Main skid.

Mark, drill and install: (4x) ¼"-20 x ¾" Self Tapping Bolts in *Diff. Skid : ( B ) locations.*

#4

## **Side Mounts ( B ) :**

\*(See Drilling Instructions Below)\*

Align, mark, drill, and Install: (6x) ¼"-20 x ¾" Self Tapping Bolts in *Main Skid : ( B ) locations.*

*Skid plate will fit inside/under side panel plastic, slightly pull panel away from vehicle to fit in place.*

*Ensure to fasten side panel bolts when complete (see figure on bottom of page 3.)*



RS

## **If installing with Rock Sliders :**

Use: "RS" (6x) ¼"-20 x 1 ¼" Self Tapping Bolts in *main skid: ( B ) locations, In lieu of side ( B ) bolts.*

Follow step (#4), Align, mark, drill ( B ) locations, Ensure to fasten side panel bolts (see figure on bottom of page 3.)  
then install Rock sliders over lip of stock side panel plastic, Drill or cut pass-through holes in side plastic as necessary,  
fasten bolts securely, Rock sliders will mount on the exterior of skid plate and side plastic.



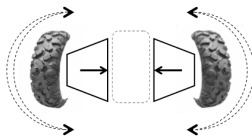
## **A-Arm Guards : Standard or High Clearance**

**High Clearance A-Arms:** Install: ¼"-20 x 1" Counter Sunk Bolts and "D" clamps over A-Arm tubing,  
with ¼" Gold Washers, and ¼"-20 Ny-Lock Nuts in each bolt locations.

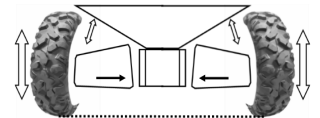
**Standard A-Arms:** Install : ¼"-20 x 1" Counter Sunk Bolts with ¼" Gold Washer, and ¼"-20 Ny-Lock Nuts in each: (A:1) location.

Install : ¼"-20 x 1 ½" Counter Sunk Bolts with "D" clamps over A-Arm tubing in each front: (A:2\*) location.

Install : ¼"-20 x 2 ½" Counter Sunk Bolts with "Box" clamps over A-Arm tubing in each Rear: (A:3\*) location.



**\* Ensure Clearance For Turn Radius & Vertical Travel  
Before Fastening ALL Bolts Securely**



## **\* Drilling Instructions : \***

Use a : #Nº7 (13/64<sup>th</sup>) drill bit,

(one size above the commonly available 3/16<sup>th</sup> bit) Recommended ¼"- 20 Tap \*(Optional)

To drill and thread self tapping bolts in to chassis frame.

**Finger Thread All Bolts Prior To Fastening Securely With Power Tools.**

We strongly recommend the use of a "Thread Locking Compound" when installing any mounting hardware.

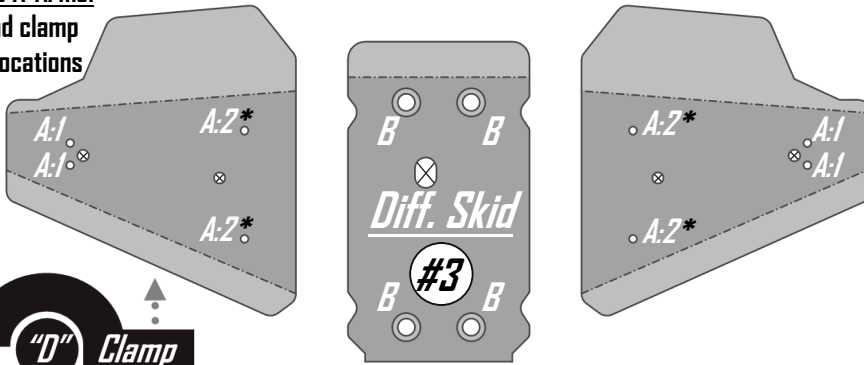
**(When installation is complete, ensure all bolts are fastened securely.)**

# Polaris General 1000 EPS 2016+

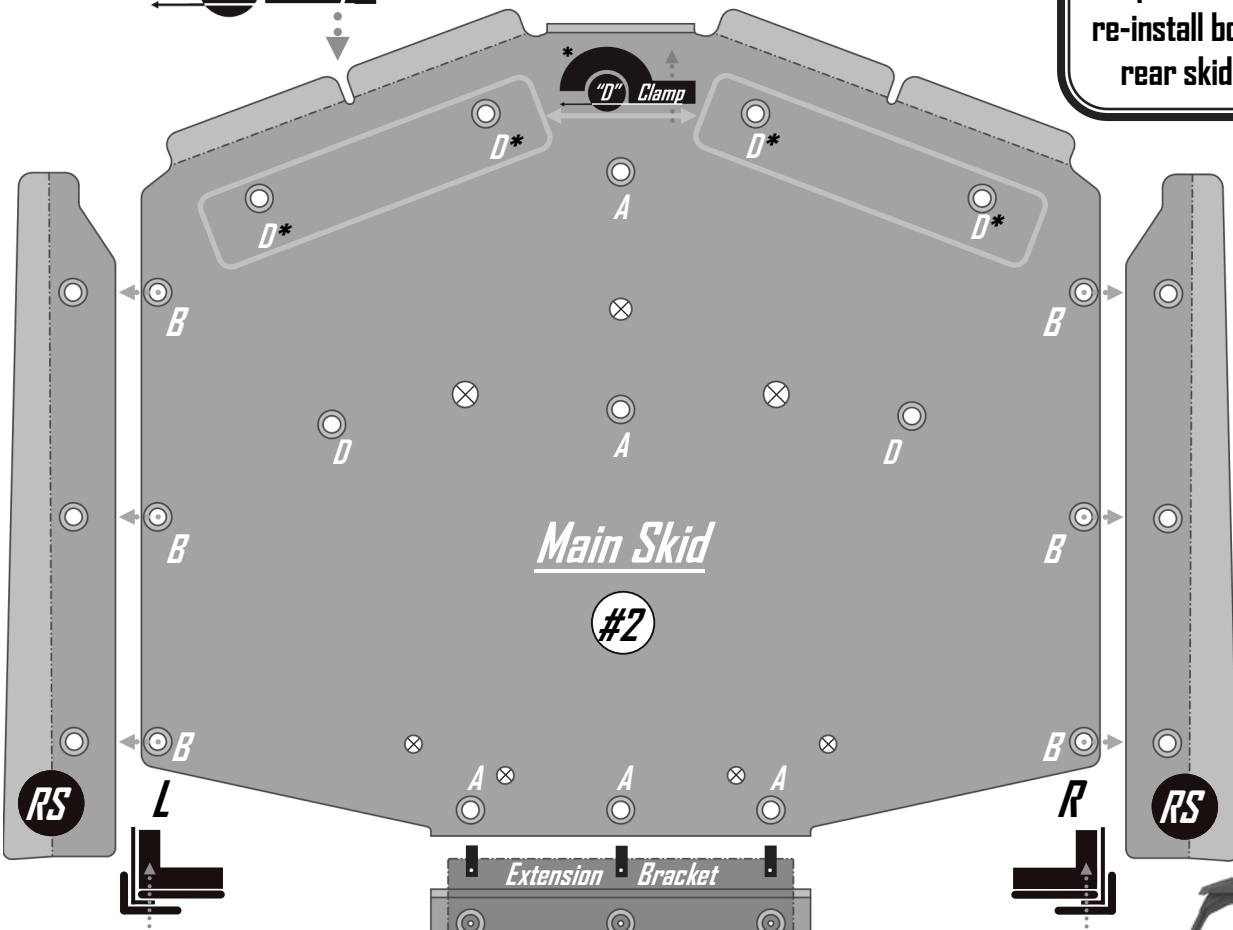
Factory UTV U.H.M.W. Ultimate skid plate package

**Read :**  
 Instructions on pg.#2  
 Remove stock skid plate,  
 Reuse hardware as needed.  
 Skid plate will form to fit.  
 See drilling instructions  
 prior to drilling.

**For High Clearance A-Arms:**  
 Use same Bolt and clamp  
 for all Mounting locations



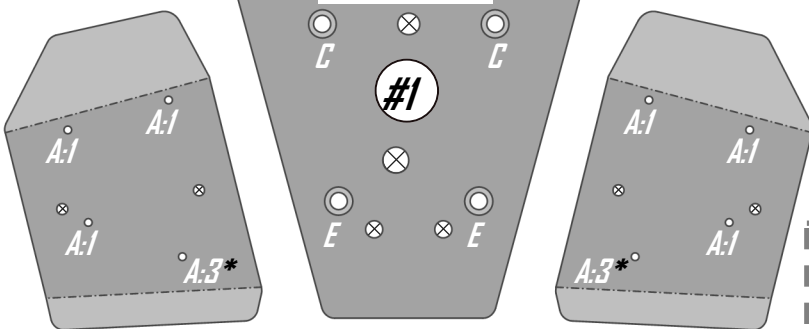
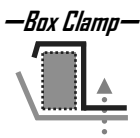
Use: (2x) stock bolts w/ out  
 washers to hold extension bracket  
 in place during rear skid install,  
 re-install bolts with washers after  
 rear skid is mounted in place.



Mount: Extension Bracket  
 w/ J-clips Tip's facing  
 inward toward vehicle.

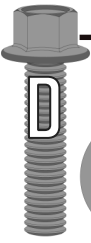


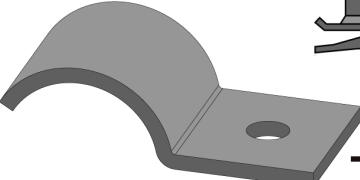


⊗ = Drainage Holes  
 Do Not Use For Mounting




Remove: (4x) T-40 Torx bolts on each lower side panel  
 to ease skid removal and installation of skid plates.  
 Ensure to re-fasten bolts securely when complete.



**#2 Main Skid Large bag:**

-  ----- **6x**
- M6- 1.0 x 25mm Flange Bolt (#B-A:6)**
-  ----- **6x**
- Counter Sunk Washers (#W-1)**
-  ----- **4x**
- J-Clip (#N-13)**
-  ----- **4x**
- 1 1/2" x 1 3/4" "D" Clamps (#C-D:6)**




**#4 Side bolts large bag:**

-  ----- **6x**
- 1/4"-20 x 3/4" Self Taping Bolt (#B-D:2)**
-  ----- **6x**
- Counter Sunk Washers (#W-1)**
- RS** *If: Rock Slider 's replace* **6x**
-  ----- **6x**
- 1/4"-20 x 1 1/4" Self Taping Bolt (#B-D:4)**

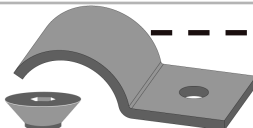




**#3 Front Diff Skid Small bag:**

-  ----- **4x**
- 1/4"-20 x 3/4" Self Taping Bolt (#B-D:2)**
-  ----- **4x**
- Counter Sunk Washers (#W-1)**

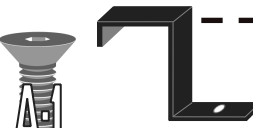



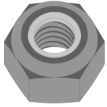
**#1 Rear Skid Small bag:**

-  ----- **2x**
- 1/4"-20 x 1" Self Taping Bolt (#B-D:3)**
-  ----- **2x**
- M6- 1.0 x 30mm Flange Bolt (#B-A:7)**
-  ----- **4x**
- Counter Sunk Washers (#W-1)**





**#6 Standard Front A-Arm large bag:**

-  ----- **4x**
- 1"x 1" "D" Clamps (#C-D:2)**
-  ----- **4x**
- 1/4"-20 x 1" Counter Sunk Bolts (#B-C:1)**
-  ----- **4x**
- 1/4"-20 x 1 1/2" Counter Sunk Bolts (#B-C:3)**
-  ----- **8x**
- 1/4" Gold Washers (#W-3.0)**
-  ----- **8x**
- 1/4"-20 Ny-Lock Nut (#N-2)**

**#7 Standard Rear A-Arm large bag:**

-  ----- **2x**
- 1 1/2" x 1 1/4" "Box" Clamps (#C-B:2)**
-  ----- **2x**
- 1/4"-20 x 1" Counter Sunk Bolts (#B-C:1)**
-  ----- **6x**
- 1/4"-20 x 2 1/2" Counter Sunk Bolts (#B-C:6)**
-  ----- **8x**
- 1/4" Gold Washers (#W-3.0)**
-  ----- **8x**
- 1/4"-20 Ny-Lock Nut (#N-2)**

**#6 High Clearance Front A-Arm large bag:**

-  ----- **10x**
- 1"x 1" 1/4" "D" Clamps (#C-D:3)**
-  ----- **10x**
- 1/4"-20 x 1 1/4" Counter Sunk Bolts (#B-C:2)**
-  ----- **10x**
- 1/4" Gold Washers (#W-3.0)**
-  ----- **10x**
- 1/4"-20 Ny-Lock Nut (#N-2)**