



POLARIS 2017-20 Ranger 1000 IRS HVAC Model 3" Lift Kit

Thank you for choosing Rough Country for all your vehicle needs.

Please read instructions before beginning installation. Check the kit hardware against the kit contents shown below. Be sure you have all needed parts and know where they go.

If question exist, please call us @1-800-222-7023. We will be happy to answer any questions concerning this product.

Check all fasteners for proper torque. Check to ensure for adequate clearance between all components.

Periodically check all hardware for tightness.

KIT CONTENTS:

- Front Bracket x2
- Front Plate x2
- Rear F Brackets x2
- Rear R Brackets x2
- Sway Bar Links x2

TOOLS NEEDED:

- 13mm Socket/Wrench
- 15mm Socket/Wrench
- 16mm Socket/Wrench
- 17mm Socket/Wrench

HARDWARE INCLUDED:

- 10MM-1.5x55MM Bolts x6
- 10MM Flat Washers x12
- 10MM-1.5 Lock Nuts x6
- 0.75"x1" Sleeve x4
- 0.75"x1.18" Sleeve x2

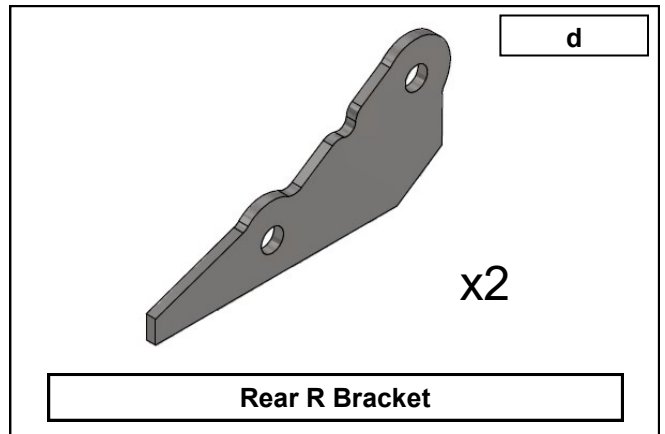
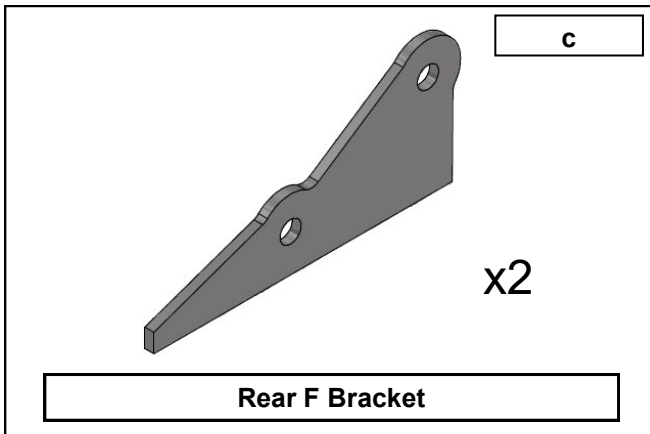
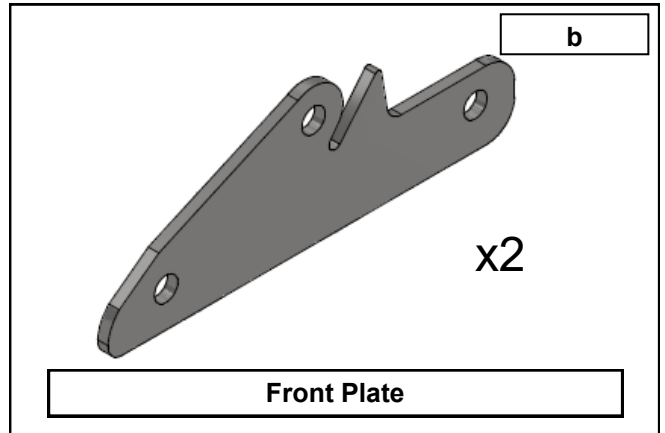
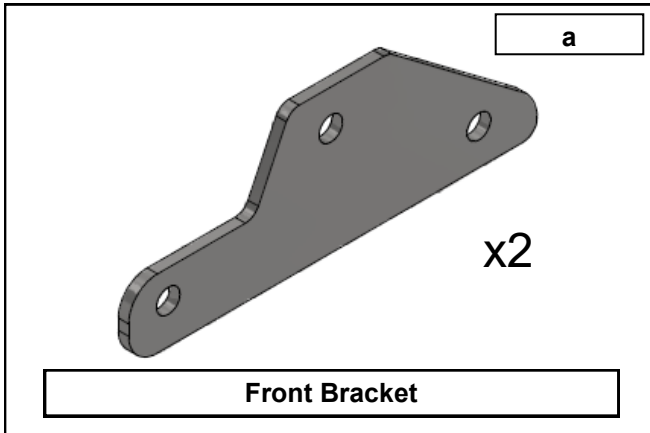


Torque Specs:

Size	Grade 5	Grade 8	Size	Class 8.8	Class 10.9
5/16"	15 ft/lbs	20ft/lbs	6MM	5ft/lbs	9ft/lbs
3/8"	30 ft/lbs	35ft/lbs	8MM	18ft/lbs	23ft/lbs
7/16"	45 ft/lbs	60ft/lbs	10MM	32ft/lbs	45ft/lbs
1/2"	65 ft/lbs	90ft/lbs	12MM	55ft/lbs	75ft/lbs
9/16"	95 ft/lbs	130ft/lbs	14MM	85ft/lbs	120ft/lbs
5/8"	135ft/lbs	175ft/lbs	16MM	130ft/lbs	165ft/lbs
3/4"	185ft/lbs	280ft/lbs	18MM	170ft/lbs	240ft/lbs

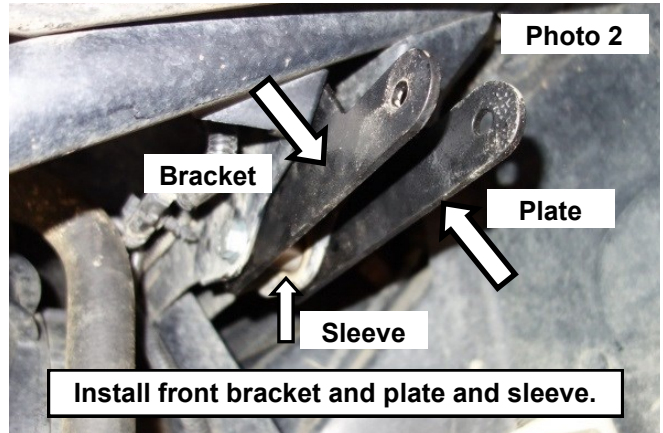
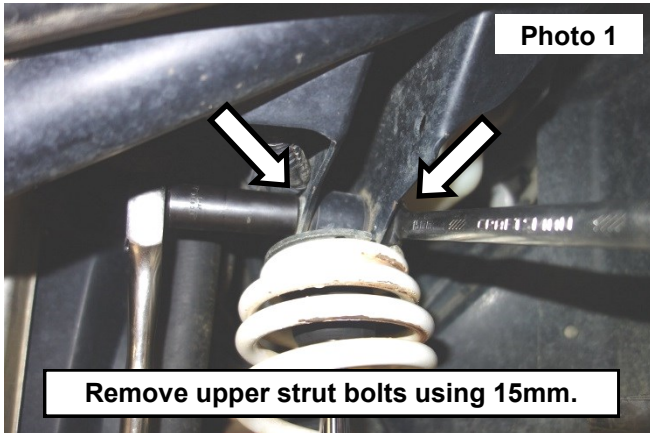


FRONT & REAR BRACKETS

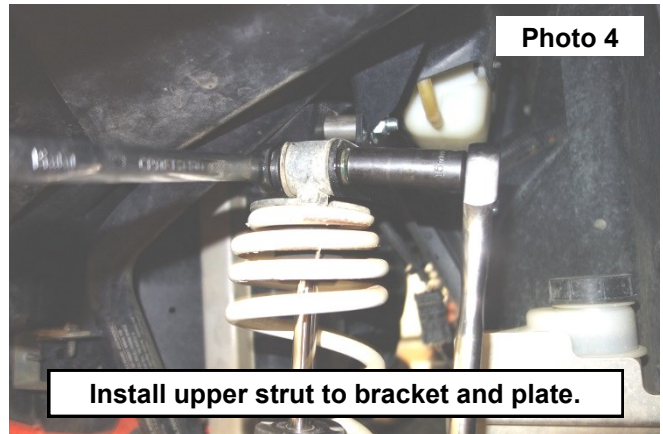
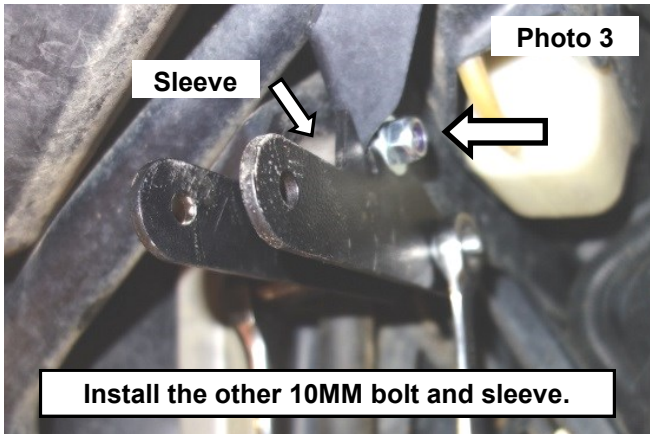


FRONT INSTALLATION INSTRUCTIONS

1. Jack up the front of the UTV and place on jack stands. Remove the front wheels.
2. Remove the upper strut bolts using two 15mm socket/wrenches and let the strut drop. **See Photo 1.**
3. Install the front bracket (Photo a on page 2) toward the front of the upper strut mount and the front plate (Photo b on page 2) toward the rear of the upper strut mount using the supplied 10MM-1.5x60MM bolts, nuts, washers and the 0.75"x1" sleeve using two 16mm socket/wrenches. **See Photo 2.**

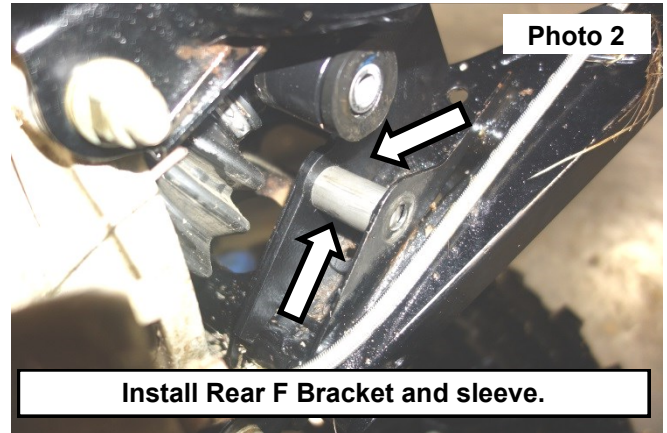
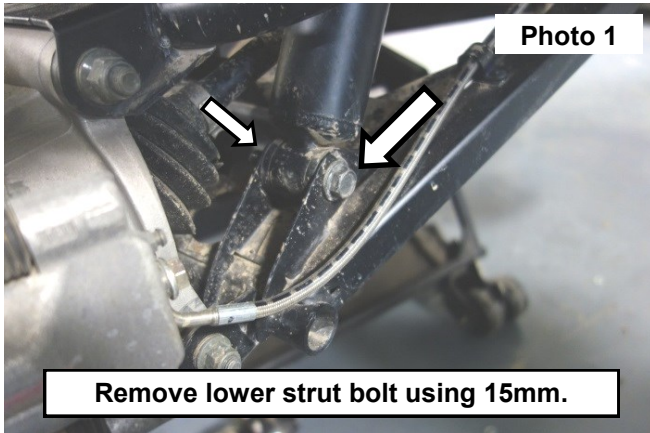


4. Install the other 10MM-1.5x60MM bolt, nut, washers and 0.75"x1" sleeve in the middle hole on the bracket and plate. **See Photo 3.**
5. Install the upper strut into the bracket and plate using the stock hardware and 15mm socket/wrenches. **See Photo 4.**

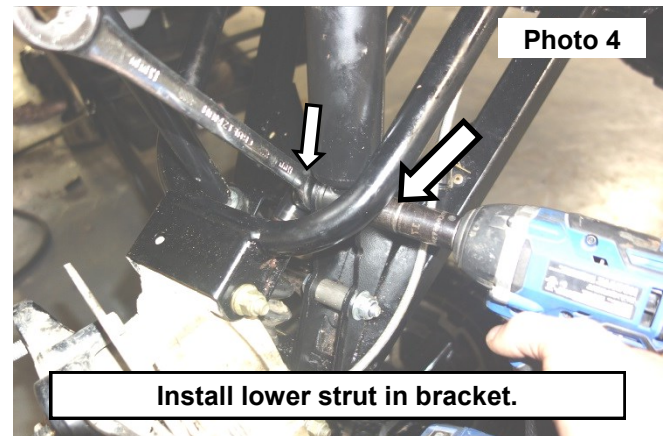
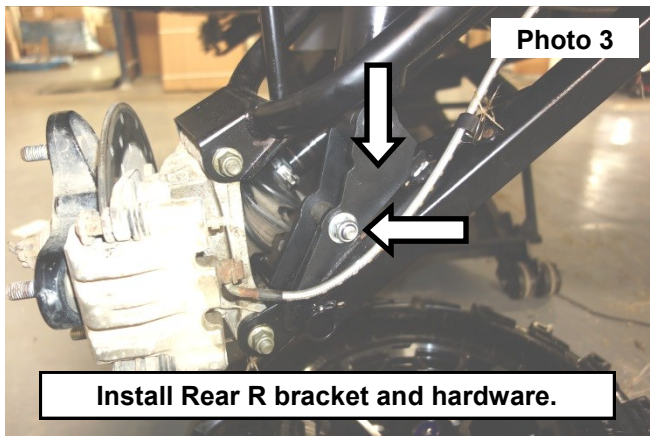


REAR INSTALLATION INSTRUCTONS

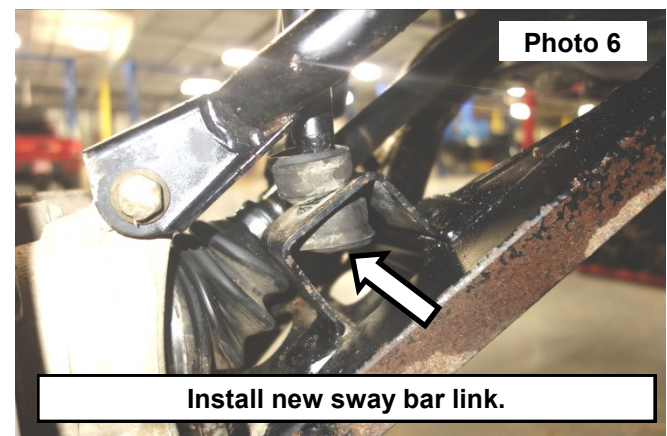
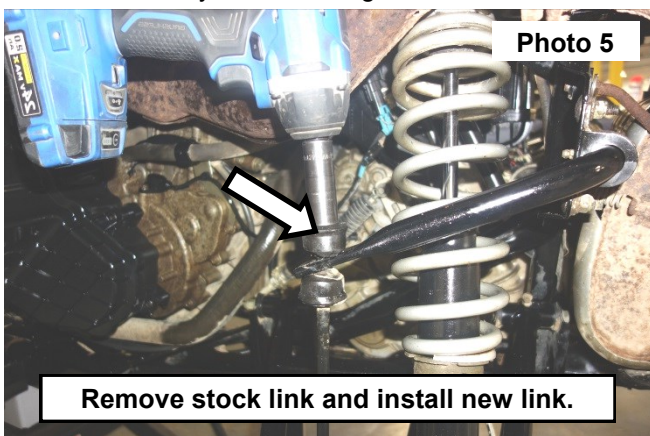
1. Jack up the rear of the vehicle and place on jack stands.
2. Remove wheels.
3. Remove the lower strut bolt using a 15mm socket/wrench. **See Photo 1.**
4. Install the rear F bracket (Photo c on page 2) towards the front of the lower strut with the 0.75"x1.18" sleeve using the supplied 10MM-1.5x55MM bolt. **See Photo 2.**



5. Install the rear R bracket (Photo d on page 2) toward the rear of the lower strut using the 10MM washer and lock nut. Tighten using a 17mm socket/wrench. **See Photo 3.**
6. Install the lower strut in the bracket using the stock hardware. Tighten using a 17mm socket/wrench. **See Photo 4.**



7. Remove the stock sway bar link and install the new link using a 15mm socket/wrench. **See Photo 5.**
8. Install the sway bar link using the stock hardware. **See Photo 6.**



9. Put on wheels and lower.

By purchasing any item sold by Rough Country, LLC, the buyer expressly warrants that he/she is in compliance with all applicable, State, and Local laws and regulations regarding the purchase, ownership, and use of the item. It shall be the buyers responsibility to comply with all Federal, State and Local laws governing the sales of any items listed, illustrated or sold. The buyer expressly agrees to indemnify and hold harmless Rough Country, LLC for all claims resulting directly or indirectly from the purchase, ownership, or use of the items.

