

POLARIS 2016-20 Ranger 900/1000 Highlifter Model 3.5" Lift Kit

Thank you for choosing Rough Country for all your vehicle needs.

Please read instructions before beginning installation. Check the kit hardware against the kit contents shown below. Be sure you have all needed parts and know where they go.

If question exist, please call us @1-800-222-7023. We will be happy to answer any questions concerning this product. Check all fasteners for proper torque. Check to ensure for adequate clearance between all components.

Periodically check all hardware for tightness.

KIT CONTENTS:

- Front Bracket x2
- Front Plate x2
- Rear Dr Side Bracket x1
- Rear Pass Side Bracket x1
- Rear Plate x2
- Sway Bar Drop Bracket x2

TOOLS NEEDED:

- 13mm Socket/Wrench
- 15mm Socket/Wrench
- 16mm Socket/Wrench
- 1/4" Wrench
- 1/2" Socket/Wrench

HARDWARE INCLUDED:

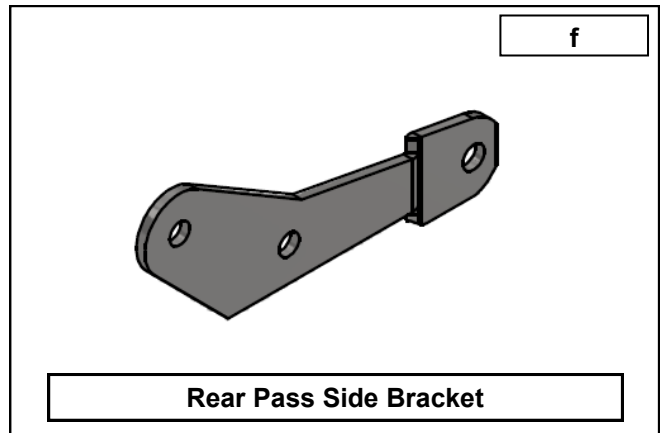
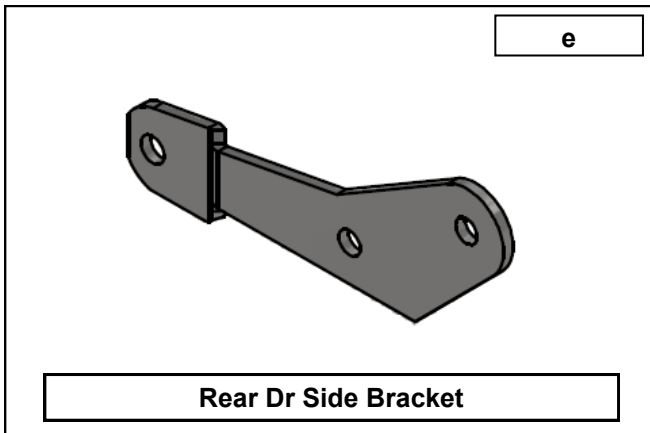
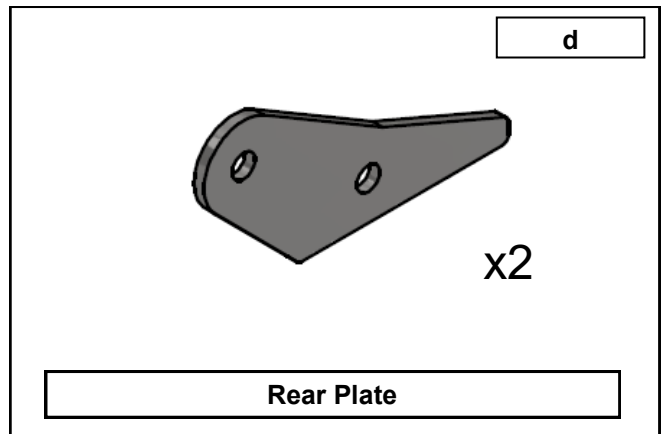
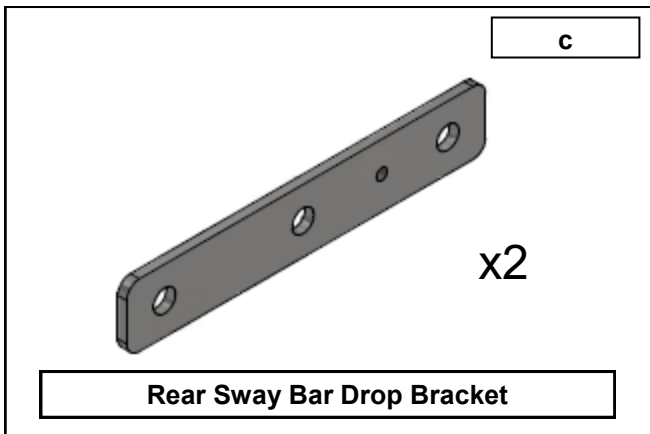
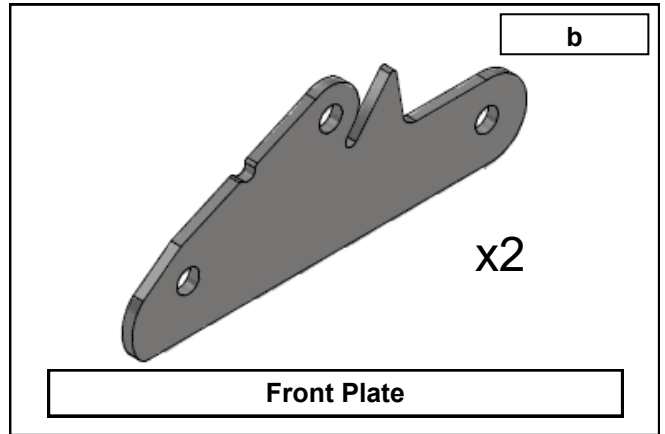
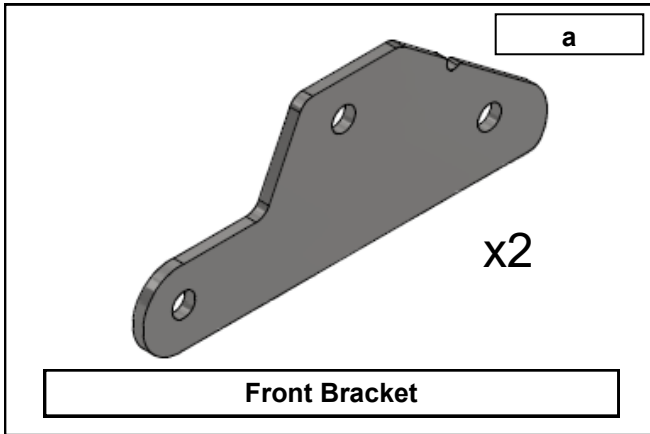
- 10MM-1.5x60MM Bolts x6
- 10MM Flat Washers x12
- 10MM-1.5 Lock Nuts x6
- 0.75"x1" Sleeve x4
- 0.75"x1.18" Sleeve x2
- 5/16"-18x1" Bolts x2
- 5/16"-18 Flange Nuts x2
- 5/16" Flat Washers x2
- 1/4" Grease Fittings x2



Torque Specs:

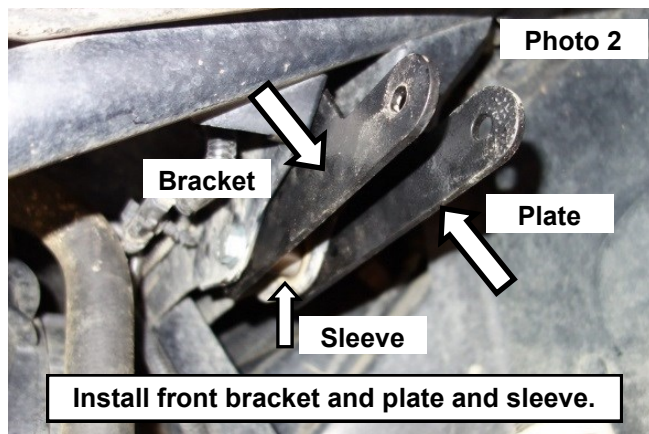
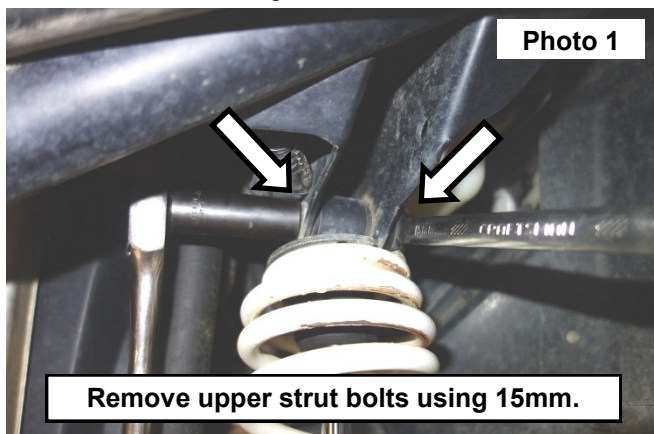
Size	Grade 5	Grade 8	Size	Class 8.8	Class 10.9
5/16"	15 ft/lbs	20ft/lbs	6MM	5ft/lbs	9ft/lbs
3/8"	30 ft/lbs	35ft/lbs	8MM	18ft/lbs	23ft/lbs
7/16"	45 ft/lbs	60ft/lbs	10MM	32ft/lbs	45ft/lbs
1/2"	65 ft/lbs	90ft/lbs	12MM	55ft/lbs	75ft/lbs
9/16"	95 ft/lbs	130ft/lbs	14MM	85ft/lbs	120ft/lbs
5/8"	135ft/lbs	175ft/lbs	16MM	130ft/lbs	165ft/lbs
3/4"	185ft/lbs	280ft/lbs	18MM	170ft/lbs	240ft/lbs

FRONT & REAR BRACKETS

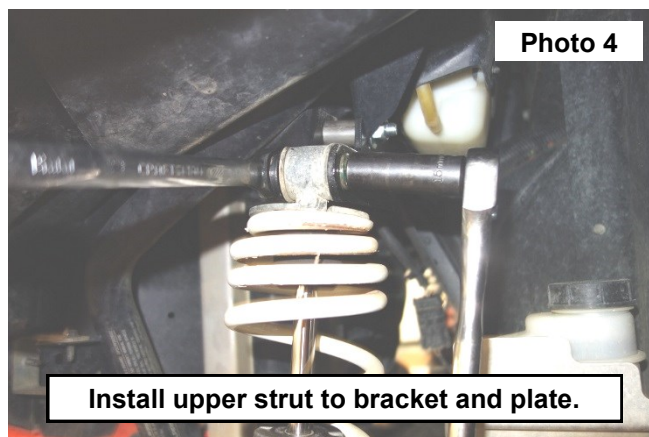
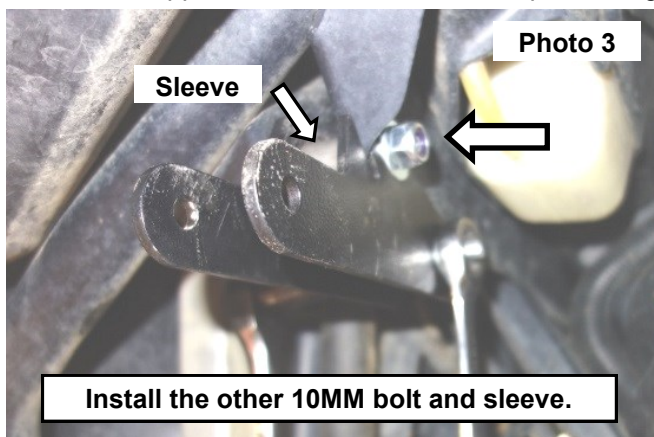


FRONT INSTALLATION INSTRUCTONS

1. Jack up the front of the UTV and place on jack stands. Remove the front wheels.
2. Remove the upper strut bolts using two 15mm socket/wrenches and let the strut drop. **See Photo 1.**
3. Install the front bracket (Photo a on page 2) toward the front of the upper strut mount and the front plate (Photo b on page 2) toward the rear of the upper strut mount using the supplied 10MM-1.5x60MM bolts, nuts, washers and the 0.75"x1" sleeve using two 16mm socket/wrenches. **See Photo 2.**

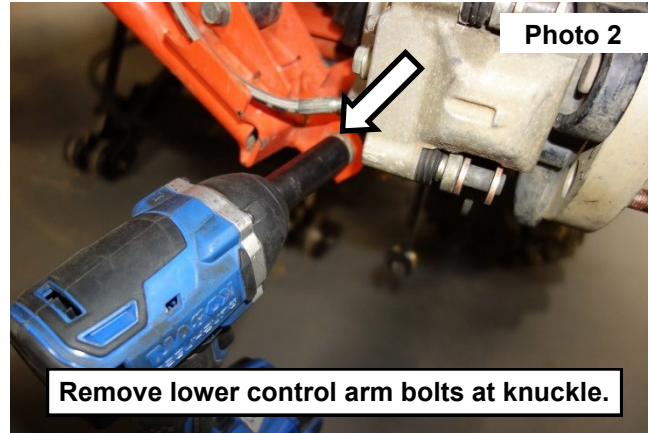
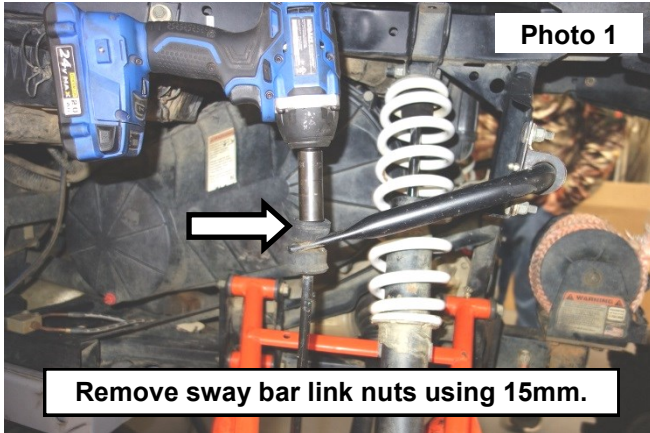


4. Install the other 10MM-1.5x60MM bolt, nut, washers and 0.75"x1" sleeve in the middle hole on the bracket and plate. **See Photo 3.**
5. Install the upper strut into the bracket and plate using the stock hardware and 15mm socket/wrenches. **See Photo 4.**

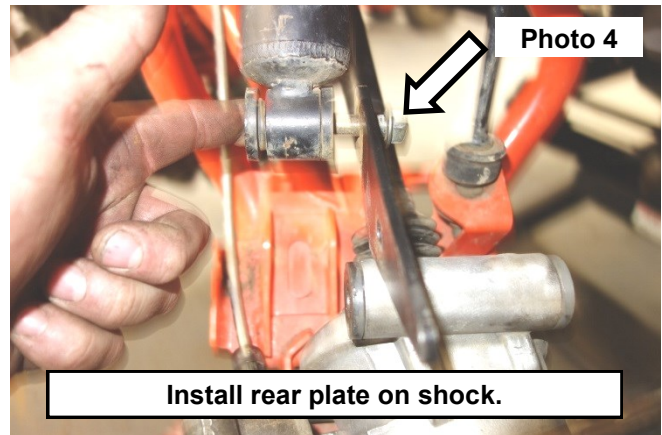
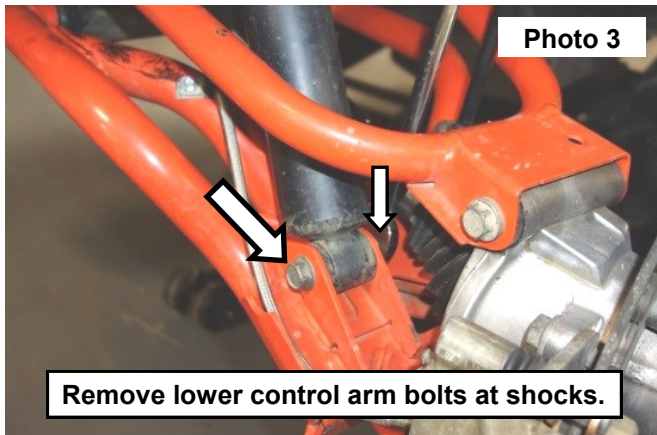


REAR INSTALLATION INSTRUCTONS

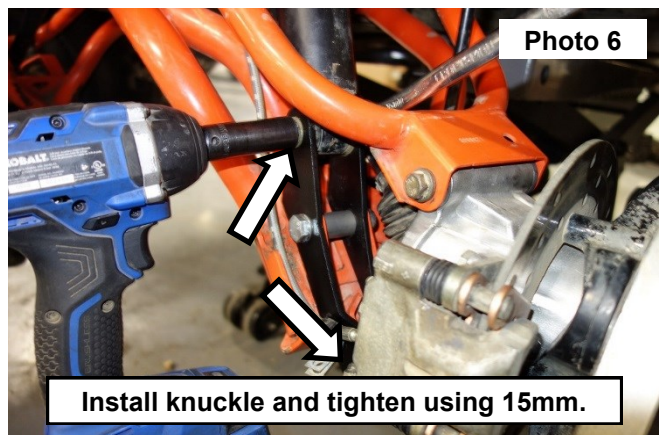
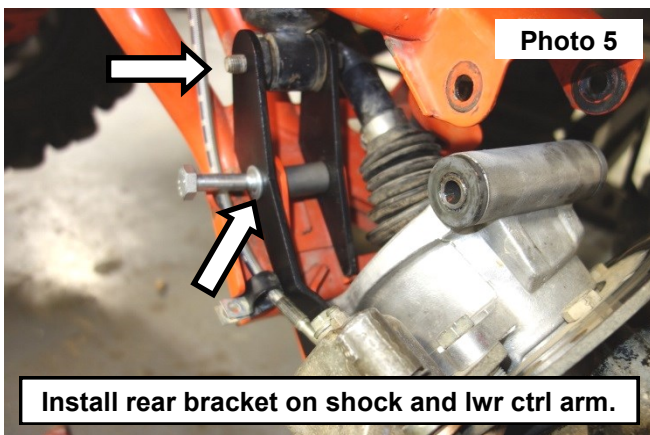
1. Jack up the rear of the UTV and place on jack stands. Remove the rear wheels.
2. Remove the sway bar link nuts using a 15mm socket/wrench and let links hang loose. **See Photo 1.**
3. Remove the lower control arm bolts at the knuckle using two 15mm socket/wrenches. **See Photo 2.**



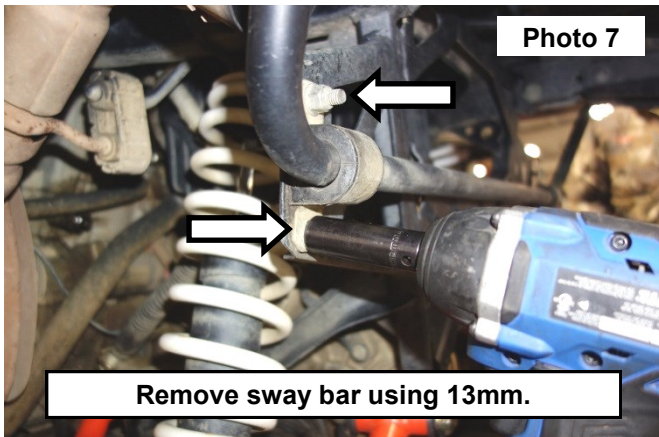
4. Remove the lower control arm bolts at the shock using two 15mm socket/wrenches. **See Photo 3.**
5. Install the rear plate (Photo d from Page 2) toward the front of the vehicle one the shock using stock hardware. **See Photo 4.**



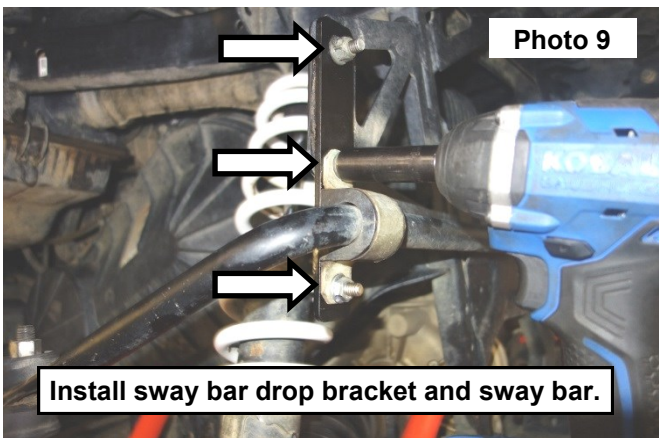
6. Install the rear bracket for the appropriate side of the vehicle (Photo e - f on Page 2) using 10MM-1.5x60MM bolt, nut, washers, and 0.75"x1.18" sleeve. Tighten using a 16mm socket/wrench. **See Photo 5.**
7. Install knuckle using stock hardware and tighten the shock and knuckle using 15mm socket/wrench. **See Photo 6.**



8. Remove the sway bar using a 13mm socket/wrench. **See Photo 7.**
9. Install the 1/4" grease fitting in the sway bar drop bracket using a 1/4" wrench. **See Photo 8.**



10. Install the sway bar drop bracket (Photo c from Page 2) and sway bar using supplied 5/16"-18x1" bolt, flange nut, and washer on the top hole and stock hardware for the sway bar. Tighten the 5/16" hardware using a 1/2 socket/wrench. **See Photo 9.**



11. Reinstall the sway bar links to the sway bar using the stock hardware.
12. Install the wheels and lower.

