



UTV CONQUEROR FRONT-CONNECT PUSH FRAME KIT

P/N 35-0070

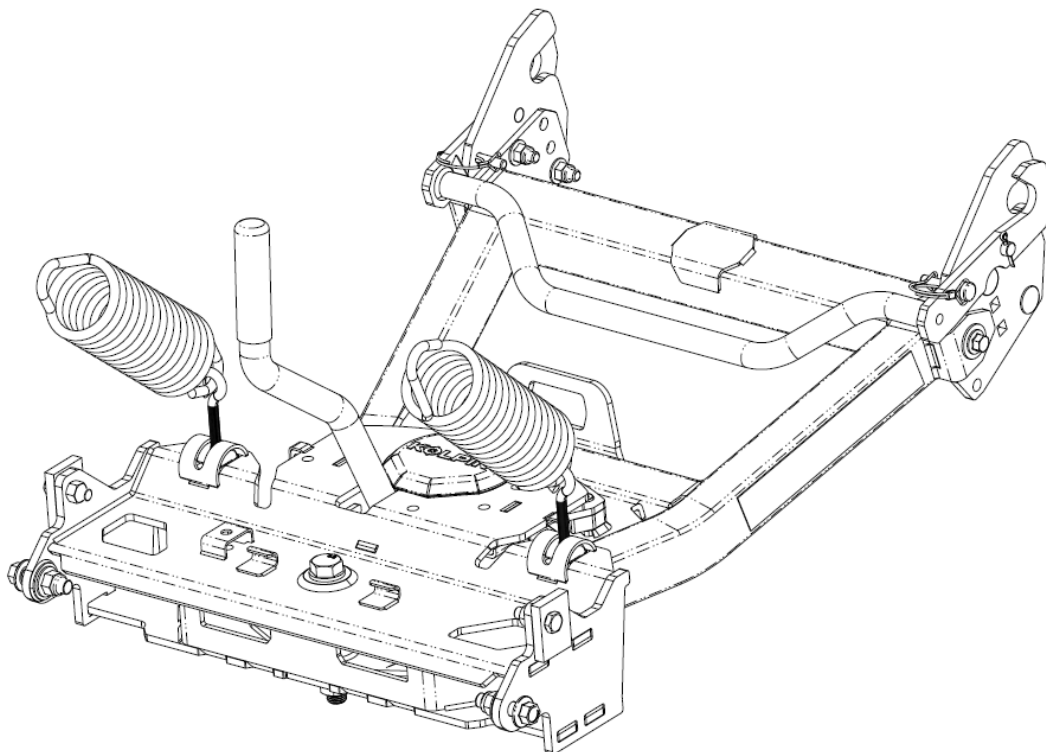
OWNER'S MANUAL

Application

CONQUEROR FRONT-CONNECT PLOW MOUNT NO. 35-XXXX

ATTENTION DEALER: CUSTOMER MUST RECEIVE A COPY OF THIS MANUAL AT THE TIME OF SALE.

Before you begin, please read these instructions and check to be sure all parts and tools are accounted for. These instructions will help you to become familiar with operation of the plow push frame. Instructions contain details required to install, service the contents of this kit, for adjustment and maintenance.



INTRO

Thank you for purchasing Kolpin engineered products. With proper installation, usage, care, and maintenance, your Kolpin product will last for years to come.

BEFORE YOU BEGIN

- Your Kolpin accessory is exclusively designed for your vehicle.
- Read and understand the entire installation manual, including all installation instructions, operating instructions, safety warnings and guidelines before installing or operating your accessory. Failure to comply may result in damage to the product and / or vehicle, and can lead to hazards up to and including death.
- Verify all parts and tools are accounted for. If parts are missing, do not return to the store. Call us for help, **Toll Free 1-877-956- 5746**
- Follow all steps correctly and in the sequence described.
- Keep these instructions for future reference or for informational requests.
- To facilitate installation, make sure that your vehicle is clean and free of debris.
- All directions referring to right and left are from the rider perspective when sitting on the machine.

ASSEMBLY TIME

Approximately 24 minutes

SAFETY INFORMATION

Please read and understand all Cautions, Notices, and Warnings in this manual before you begin. In order to protect you and your ATV / UTV, certain parts of the plow system and / or hardware are designed to fail when the equipment is overstressed.

Follow these guidelines to ensure satisfactory operation:

- Read this manual and your ATV / UTV operators manual before use.
- Periodically check for wear and tightness of all fasteners. Replace or re-torque fasteners as necessary.
- Before first use, set plow in the furthest right or left angled position to check for interference with the vehicle.
- Operate with extreme caution on slopes and rough terrain. Be familiar with the area before you plow.
- Be aware of immovable objects that could be hidden in the area you are plowing.
- To avoid damage when pushing snow into a pile, reverse direction before raising the plow blade.
- Do not ram the plow blade into piles of snow.
- For best results, set the suspension preload of your ATV / UTV to the stiffest setting.
- To reduce steering effort and increase mobility, set the air pressure of your tires to the maximum pressure specification.
- The plow skids are adjustable. General skid setting is even with the plow wear bar bottom edge, higher settings reduce the chance of rocks and gravel from being collected.
- To increase traction during plow operation, operators can try: Securing weight to the ATV / UTV for additional tire downforce, reducing tire air pressure, or installing tire chains.



WARNING



TO AVOID SERIOUS INJURY OR DEATH:

1. DO NOT EXCEED 5 MPH (8 KMH) WITH BLADE INSTALLED
2. OPERATE WITH EXTREME CAUTION ON SLOPES, STEEP GRADES, AND ROUGH TERRAIN
3. ALLOW NO RIDERS ON BLADE OR ATV WHILE MOVING OR STATIONARY
4. KEEP BYSTANDERS AWAY FROM THE BLADE OR ATV WHILE MOVING OR STATIONARY
5. WHEN PUSHING HEAVY MATERIAL, DIRECTION CONTROL MAY BECOME DIFFICULT
6. BEFORE ADJUSTING BLADE: STOP ATV ENGINE; SET AND LOCK BRAKES; RAISE AND LOCK BLADE
7. LOWER BLADE TO DOWN POSITION WHEN BLADE AND ATV ARE NOT IN USE
8. READ BLADE INSTRUCTION SHEETS AND ATV OWNER'S MANUAL

REQUIRED SOLD SEPARATELY

Only parts for installation of the Plow Push Frame Kit are included. For complete snow plow system installation, additional items are required such as a plow blade, vehicle plow mount, winch, and winch mount. See www.Kolpin.com for products to complete your plow system.

TOOLS REQUIRED

- Safety Glasses
- Socket Set, Metric
- Torque Wrench
- Wrench Set, Metric
- Pliers, Needle Nose
- Spring Puller or shoestring sized rope

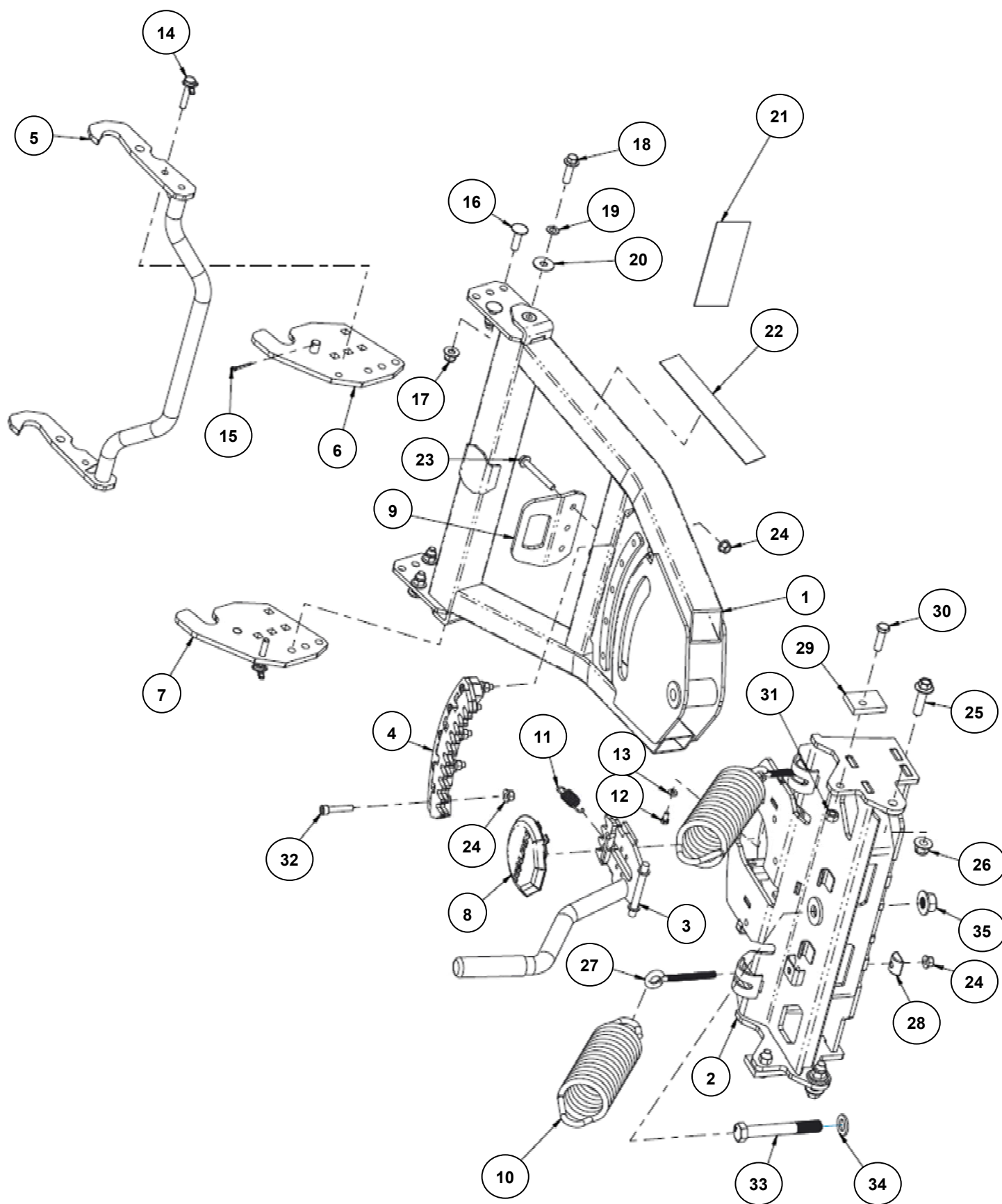
IMPORTANT

The use of a Kolpin winch with the combination of Kolpin auto-stop and synthetic winch rope are recommended for use with this plow system to prevent premature failure of the winch cable. The winch should be installed on the unit prior to installing this kit.

KIT CONTENTS

Item	Qty	Part Description	Part Number
1	1	Push Frame Welded	-
2	1	Blade Pivot Frame	-
3	1	Pivot Lock Handle	35-0077
4	1	Pivot Lock Gear Plate	35-0078
5	1	Connection Latch Handle	35-0070-CP06
6	1	LH Connection Latch Side Bracket	35-0070-CP27
7	1	RH Connection Latch Side Bracket	35-0070-CP26
8	1	Plastic Pivot Cover Cap	35-0070-CP24
9	1	Lift Bracket	35-0075
10	2	Large Tension Spring, Blade Trip	35-0070-CP12
11	1	Small Tension Spring, Pivot Lock Handle	-
12	1	Hex Screw, Zinc Plated, M6-1.0 x 18mm LG	-
13	1	Lock Washer, Zinc Plated, M6	-
14	2	Lock Pin	35-0079
15	2	Cotter Pin	-
16	4	Carriage Screw, Zinc Plated, M10-1.5 x 35mm LG	-
17	4	Hex Flange Locknut, Zinc Plated, M10-1.5	-
18	2	Hex Flange Screw, Zinc Plated, M10-1.5 x 35mm LG	-
19	2	Lock Washer, Zinc Plated, M10	-
20	2	Flat Washer, Zinc Plated, M10	-
21	1	Kolpin Logo Decal	-
22	1	Conqueror Decal	-
23	3	Hex Flange Screw, Zinc Plated, M8-1.25 x 65mm LG	35-0075
24	10	Hex Flange Locknut, Zinc Plated, M8-1.25	-
25	2	Hex Flange Screw, Zinc Plated, M12-1.75 x 45mm LG	-
26	2	Hex Flange Locknut, Zinc Plated, M12-1.75	-
27	2	Eye Bolt, Zinc Plated, M8-1.25 x 115mm LG	PUR1216
28	2	Pivot Sleeve, Zinc Plated	34-0002
29	2	Blade Stopper Plate, Zinc Plated	-
30	2	Hex Screw, Zinc Plated, M10-1.5 x 35mm LG	-
31	2	Hex Locknut, Zinc Plated, M10-1.5	-
32	5	Socket Head Cap Screw, Zinc Plated, M8-1.25 x 40mm LG	-
33	1	Hex Flange Screw, M16-2.0 x 120mm LG	-
34	1	Flat Washer, Zinc Plated, M16	-
35	1	Hex Flange Locknut, Zinc Plated, M16-2.0	-
36	1	Instruction Manual (not shown)	-

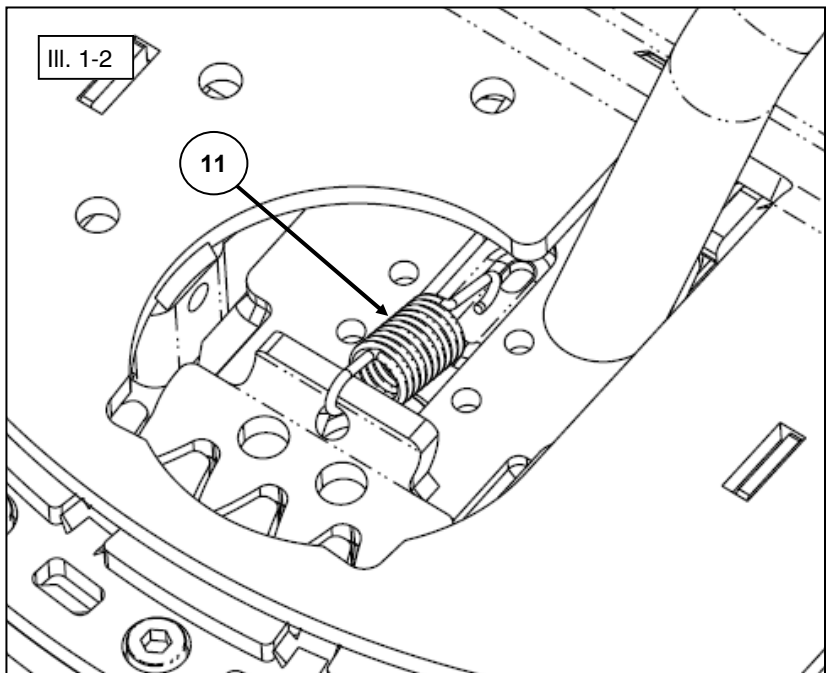
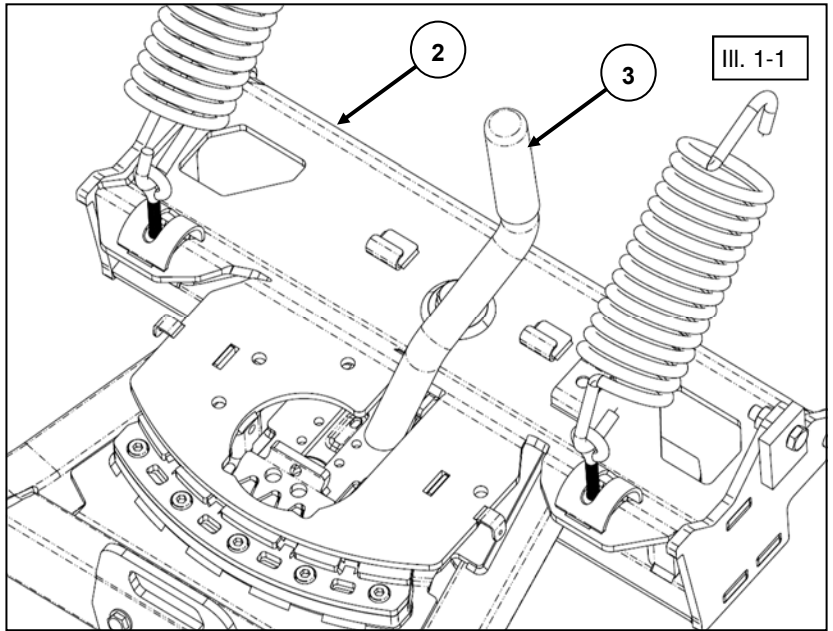
Kit Contents (continued):




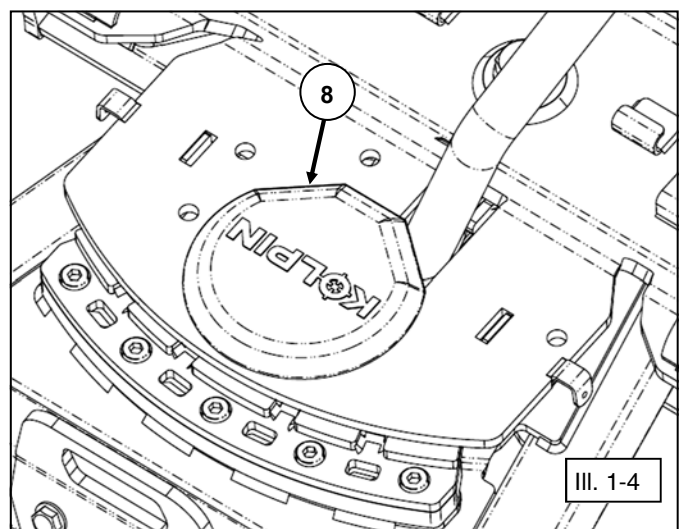
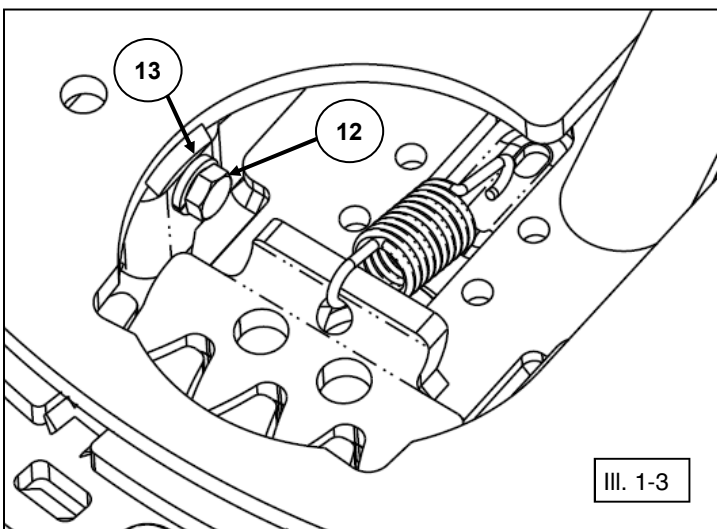
INSTALLATION INSTRUCTIONS

MANUAL PIVOT ANGLE ASSEMBLY

1. Position the pivot lock handle (item #3) into the blade pivot frame (item #2). Lock the handle assembly into place as shown. (See illustration 1-1).
2. Attach the tension spring (item #11) into the holes in the lock handle assembly and pivot frame assembly as shown. Using a spring puller (or shoe string) to pull on the higher side allows for easy installation of spring. (See illustration 1-2). **Note, the shorter spring end hook fits into the frame first.**
3. Install M6 hex screw (item #12) and M6 lock washer (item #13) in the pivot frame side plate hole as shown. Tighten to specification. (See illustration 1-3).
4. Secure the plastic cover cap (item #8) into place as shown. (See illustration 1-4).



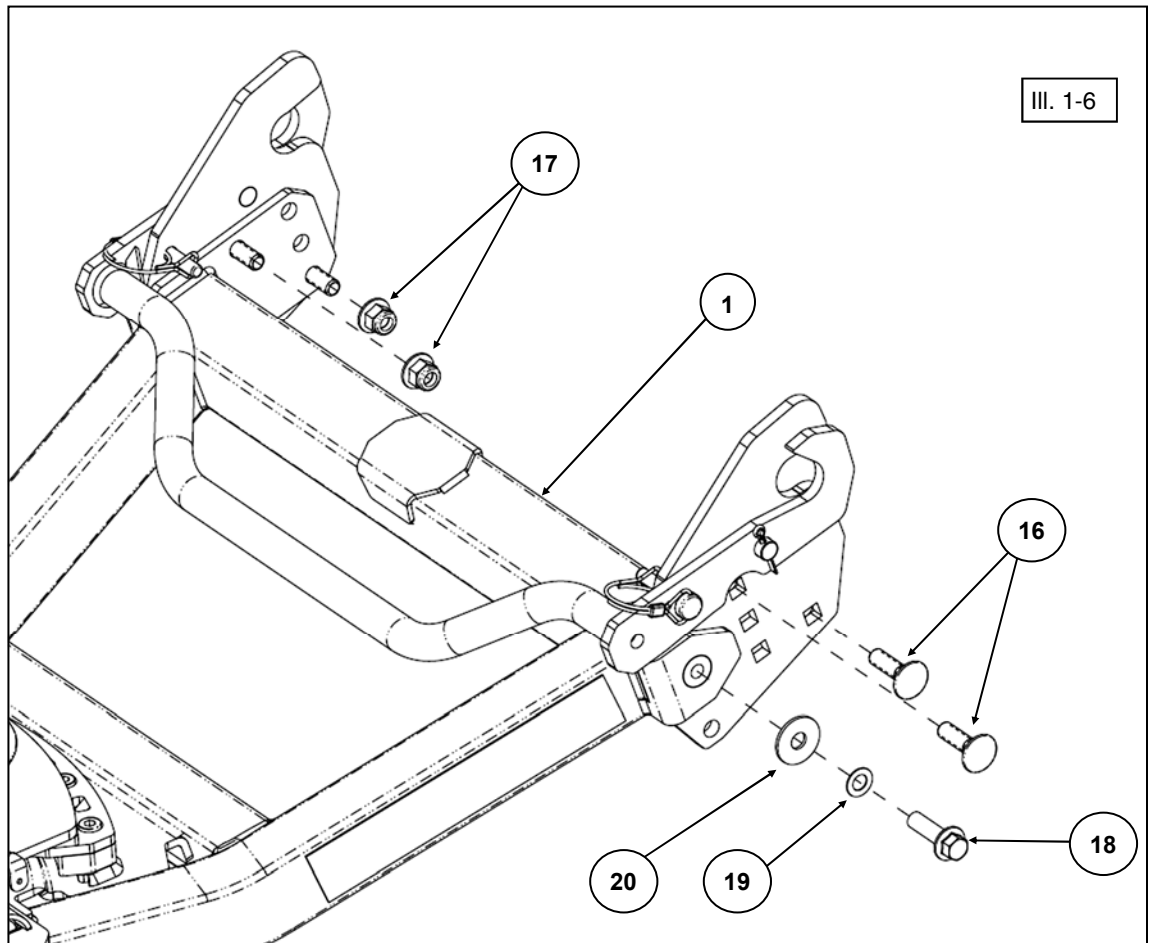
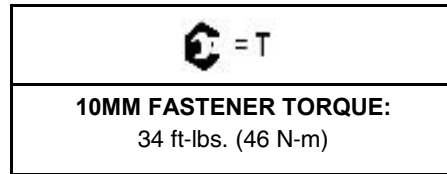
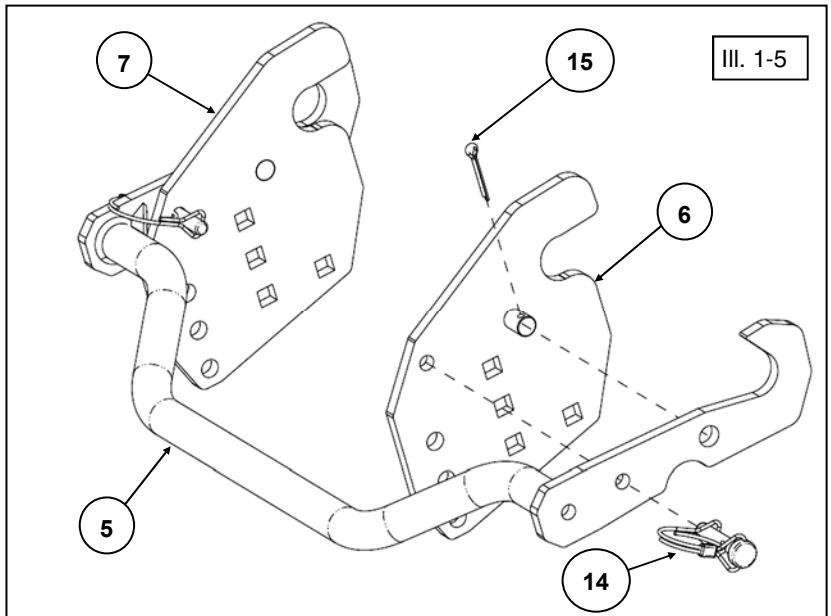
 = T
6MM FASTENER TORQUE:
7 ft-lbs. (9 N-m)



INSTALLATION INSTRUCTIONS

CONNECTION LATCH ASSEMBLY

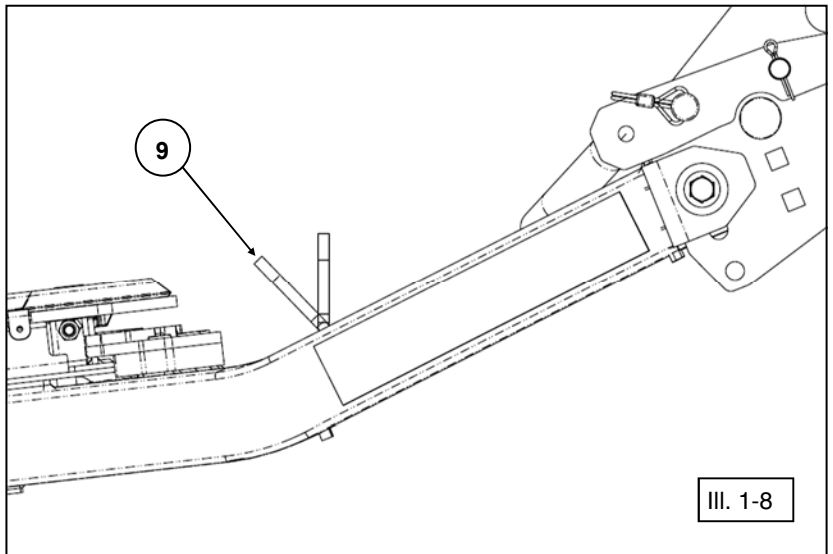
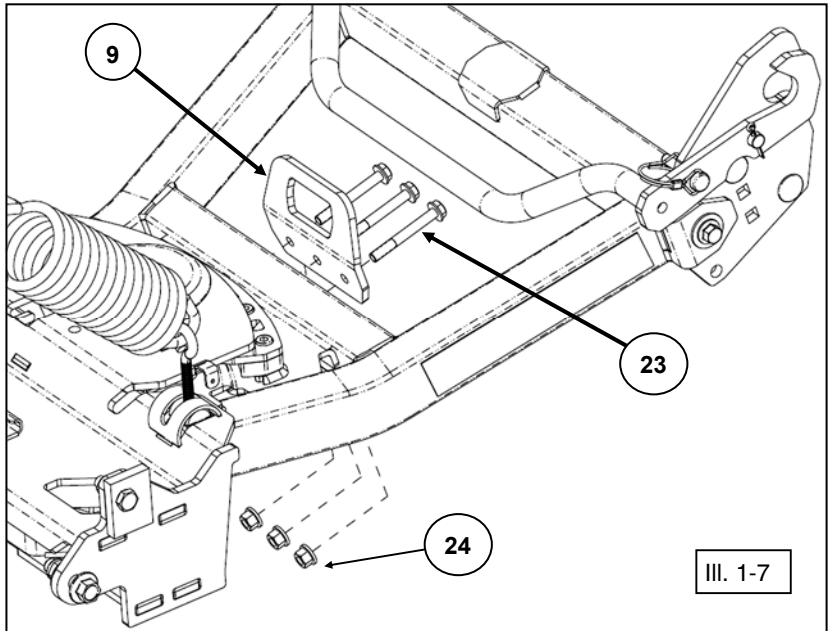
- Position the connection latch handle (item #5) onto the LH connection latch side bracket (item #6). Insert the cotter pin (item #15) thru the welded pin of side bracket as shown. Bend cotter pin into place. Insert the lock pin (item #14) thru the latch and side bracket. Repeat the same steps for RH side bracket (item #7). (See illustration 1-5).
- Position the connection latch assembly onto the push frame (item #1) rear tabs as shown. Fasten the front of the side brackets using M10 hex flange screw (item #18) with M10 lock washer (item #19) and M10 flat washer (item #20). Fasten the rear two square holes of the side brackets using M10 carriage screws (item #16) with M10 locknuts (item #17). (See illustration 1-6). **Note, the connection latch assembly can be adjusted for higher ground clearance vehicles to keep plow blade level. See operation section of instruction guide.**
- Tighten M10 hardware to specification.




INSTALLATION INSTRUCTIONS

LIFT BRACKET ASSEMBLY

8. Position the lift bracket (item #9) onto the push frame (item #1) as shown. Fasten using M8 screws (item #23) with M8 locknuts (item #24). (See illustration 1-7).
9. The lift bracket (item #9) can be installed with loop facing forward or rearward as shown. (See illustration 1-8). **Note, facing the lift bracket loop forward can be helpful for Polaris Ranger 1000 applications and provide some winch rope winch clearance with OEM upper catch bar of front bumper. Otherwise, it can provide more winch rope clearance to remove the Polaris Ranger 1000 OEM upper catch bar.**
10. Tighten M8 screws to specification.



 = T
8MM FASTENER TORQUE: 17 ft-lbs. (23 N-m)

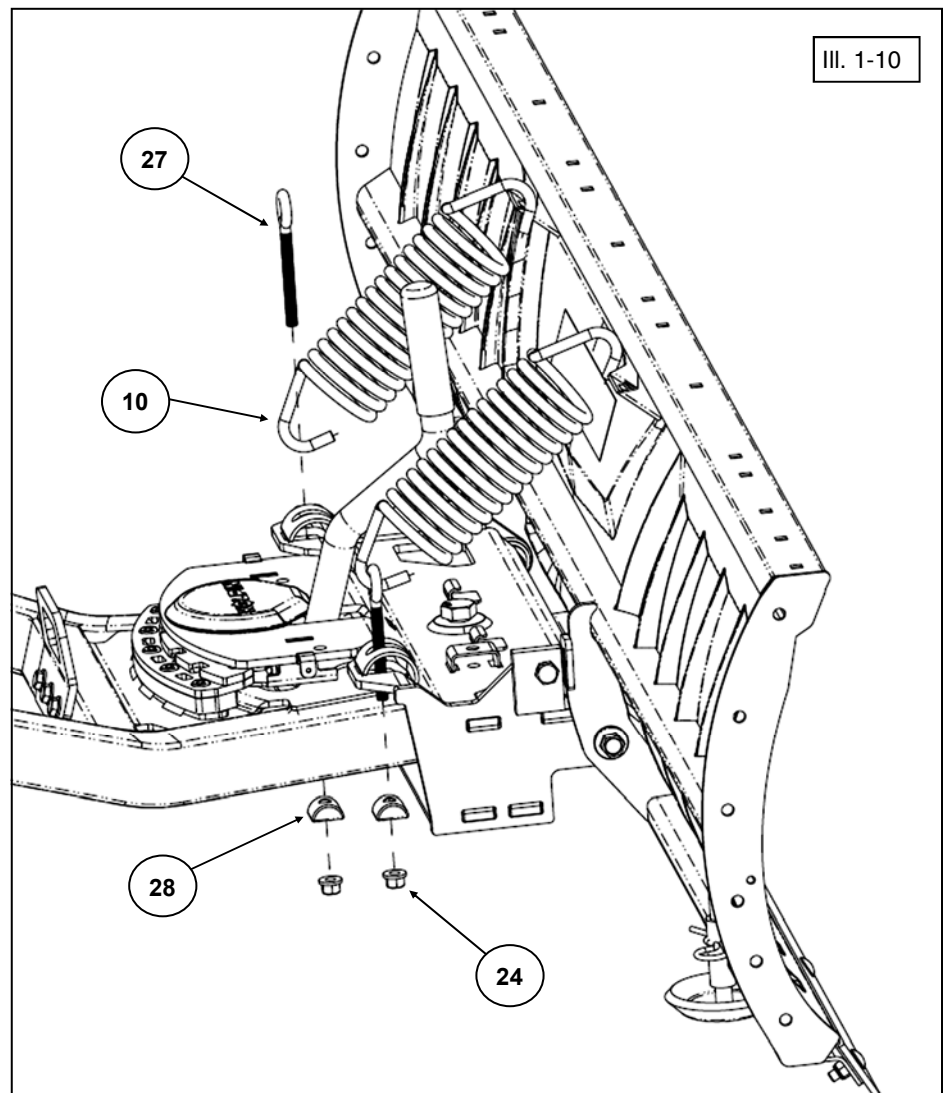
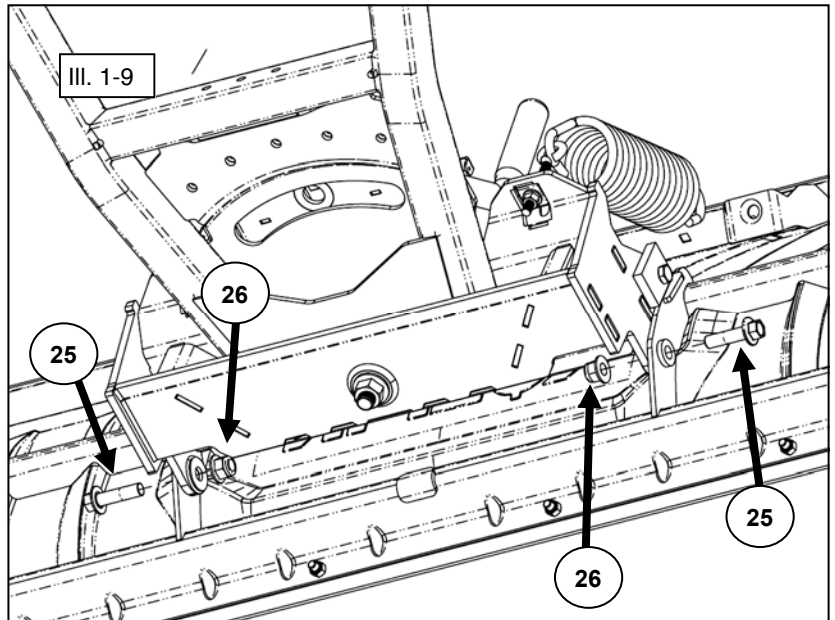
INSTALLATION INSTRUCTIONS

PLOW BLADE ASSEMBLY

11. Align the mounting holes in the frame pivot with the mounting holes in the blade as shown. Fasten using M12 screws (item #25) with M12 locknuts (item #26) by inserting the hardware thru blade holes and frame holes. Tighten locknut, then back out 1/8 turn to allow blade to hinge freely on frame. (See illustration 1-9).

Note, screw should be tight enough to not move, but the blade must rotate freely.

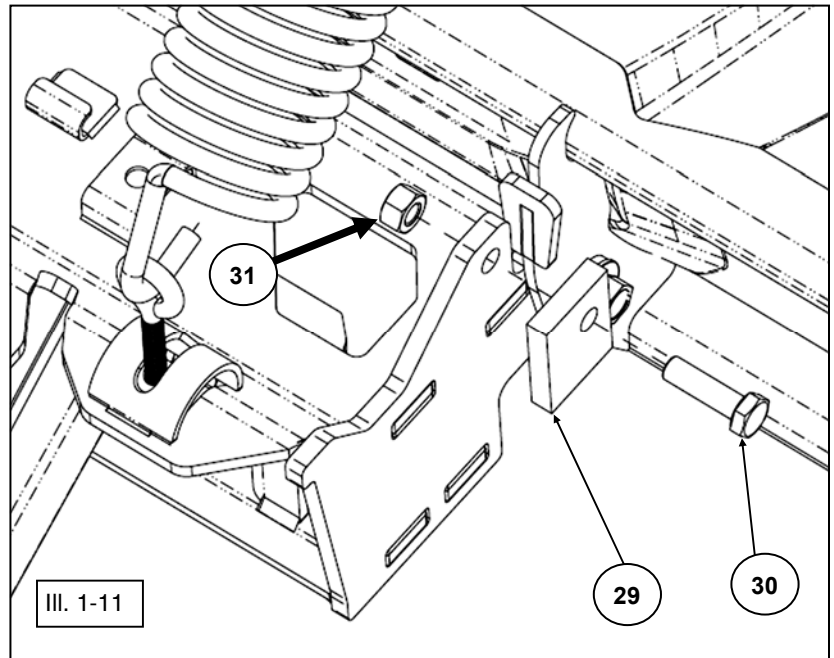
12. Assemble the large tension springs (item #10) and eyebolts (item #27) between the blade assembly and the spring pivot tab brackets. Fasten eyebolts to frame tab with half moon pivot sleeve (item #28) and M8 lock nuts (item #24) onto the eyebolts until 2-3 threads show thru the locking feature. (See illustration 1-10).




INSTALLATION INSTRUCTIONS

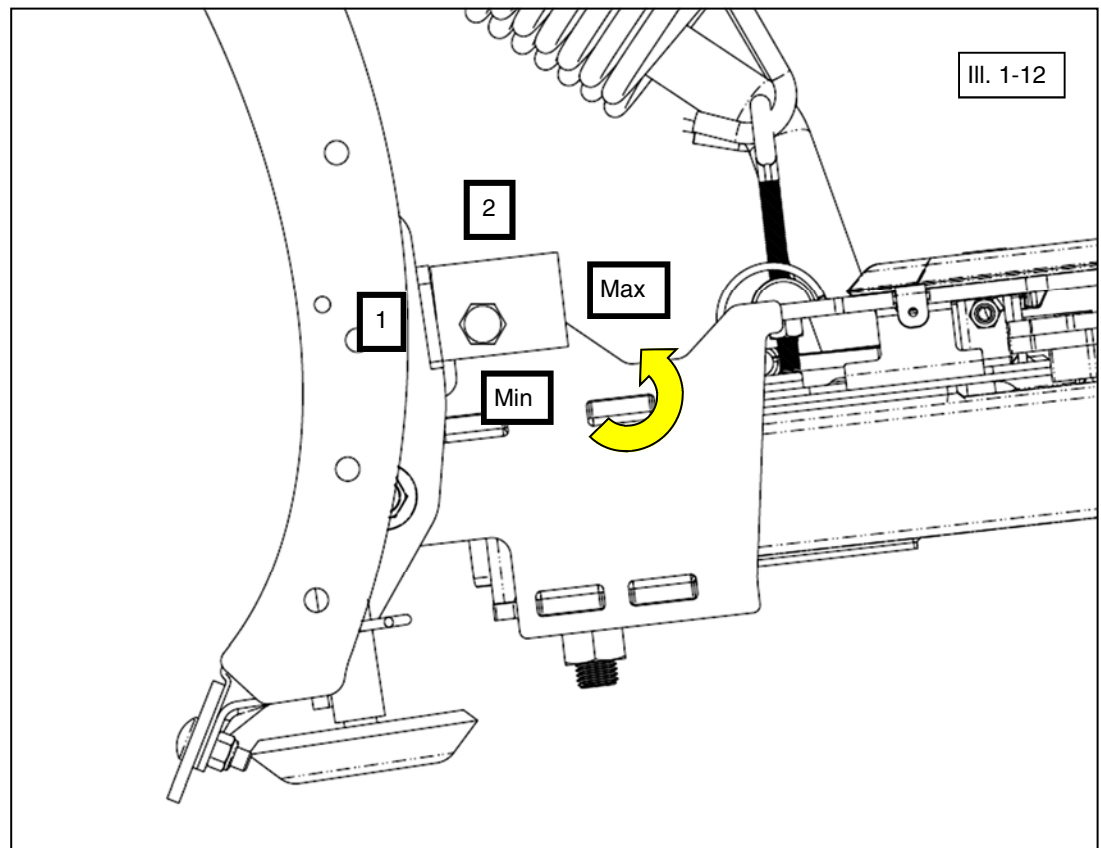
PLOW BLADE ASSEMBLY

13. Install the blade stopper plates (item #29) onto pivot frame. Fasten with M10 hex screw (item #30) and M10 hex locknut (item #31) as shown. (See illustration 1-11). **Note, do not tighten fasteners at this time.**
14. Once plow system is mounted to the UTV, adjust the blade stops and blade trip spring tension as desired to achieve best performance. (See illustration 1-12).
15. Tighten the blade stopper plate fasteners to specification.



BLADE STOPPER ADJUSTMENT

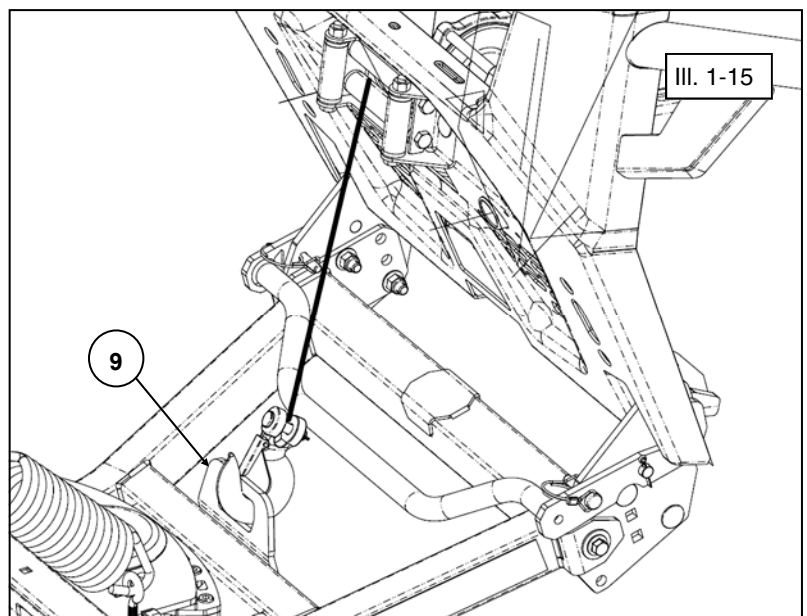
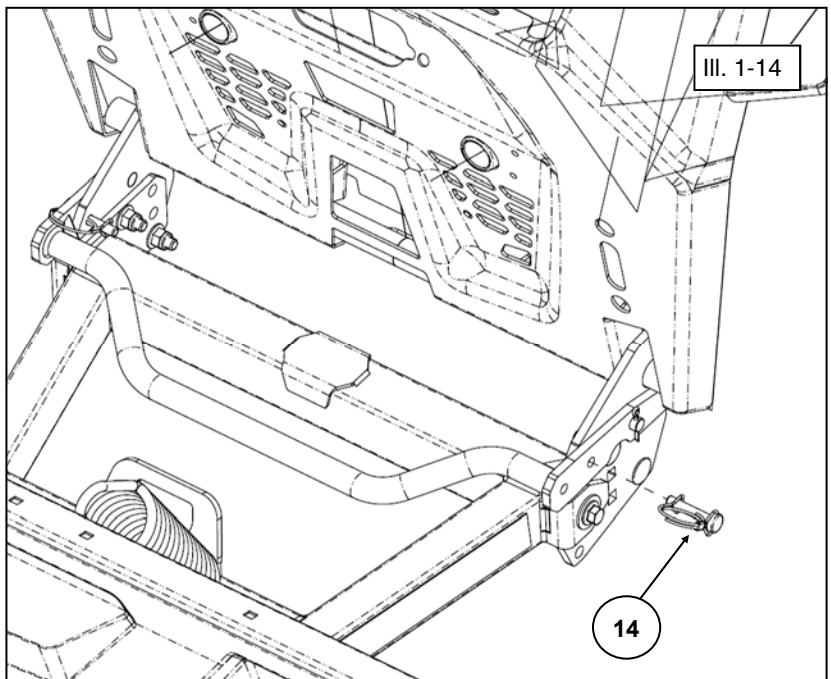
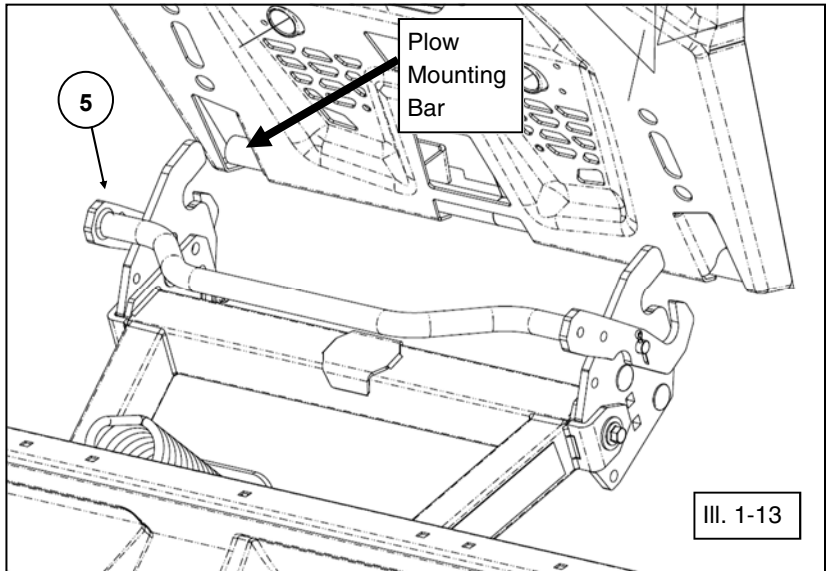
 = T
10MM FASTENER TORQUE: 34 ft-lbs. (46 N-m)



INSTALLATION INSTRUCTIONS

PLOW INSTALLATION

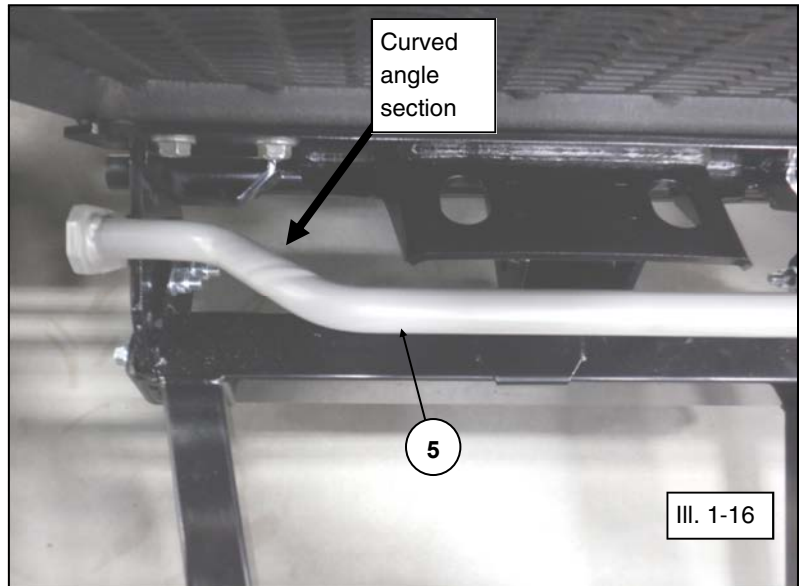
16. **Note, frame installation may require mount plate specific to your vehicle. Certain vehicles come equipped from the factory with the plow mount already attached to the vehicle.**
17. Lay the plow assembly on the ground in front of the vehicle. Make sure the lock pins (item #14) are removed to allow the connection latch (item #5) to swing freely. (See illustration 1-13).
18. Slide the assembly towards the vehicle so that the plow frame attachment pockets slide onto the vehicle plow mounting bar.
19. Once plow frame is fully seated onto the mounting bar, make sure the connection latch is rotated into position to allow the lock pins to be inserted. Insert the locking pins (item #14) being sure to latch the wire retaining clip to secure the pins in place. (See illustration 1-14).
20. Attach the winch's rope hook to the lift bracket loop (item #9) as shown. (See illustration 1-15).



INSTALLATION INSTRUCTIONS

PLOW INSTALLATION

21. *Note, certain plow mounts have built-in receiver hitch. Clearance for opening the connection latch handle can be gained by using curved angle portion of tubing. (See illustrations 1-16 and 1-17).*

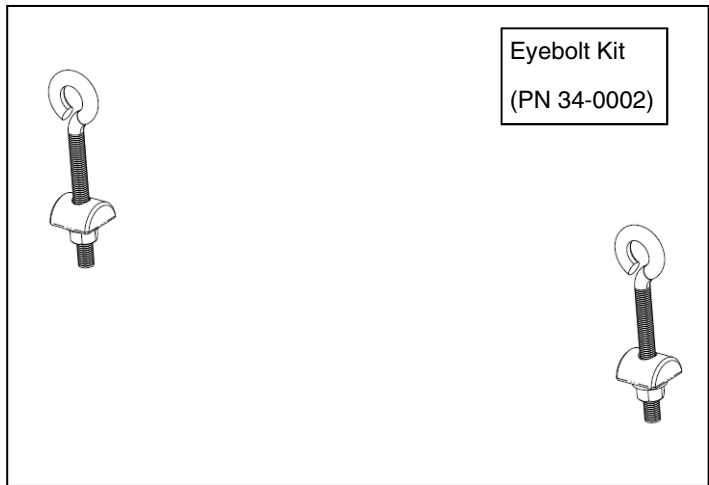
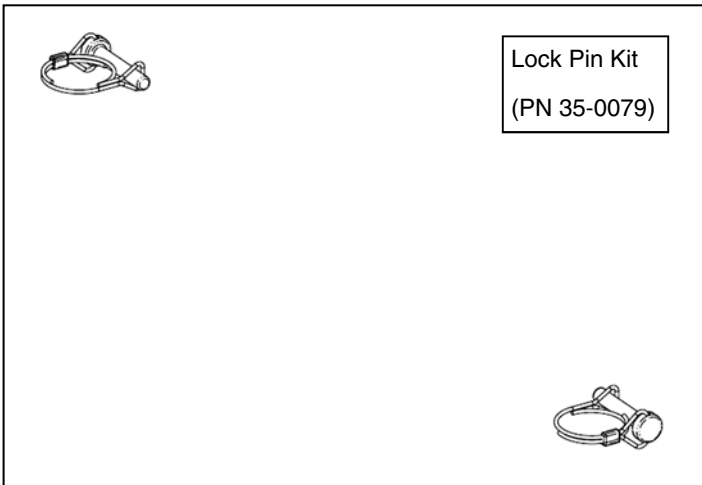
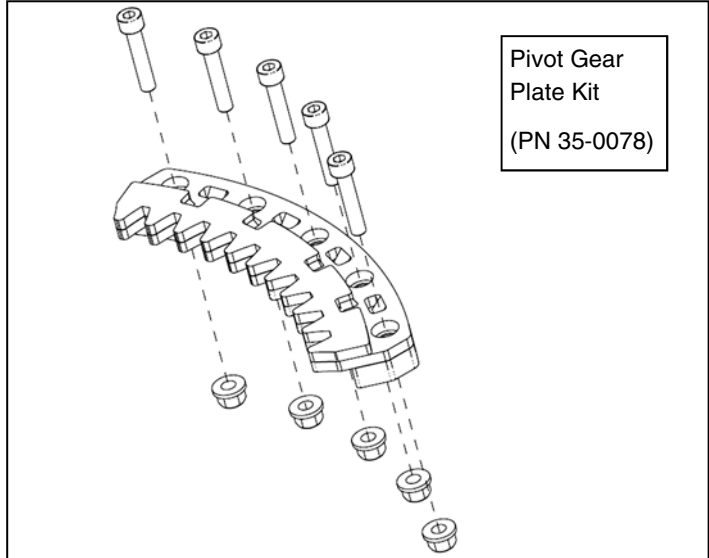
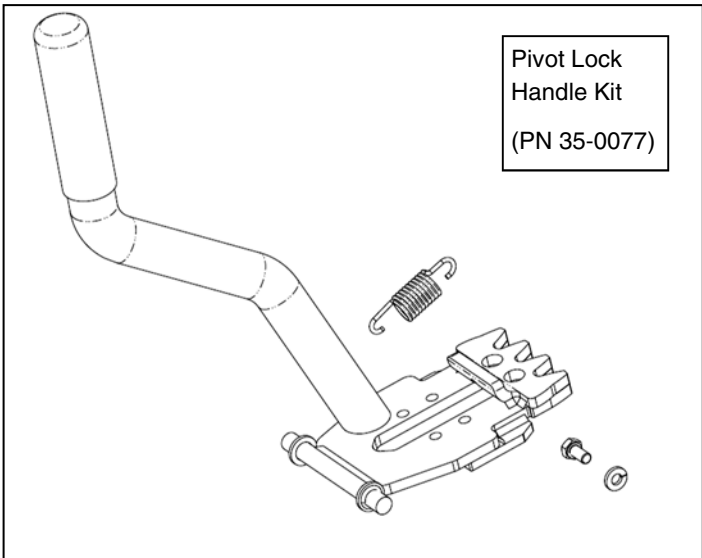
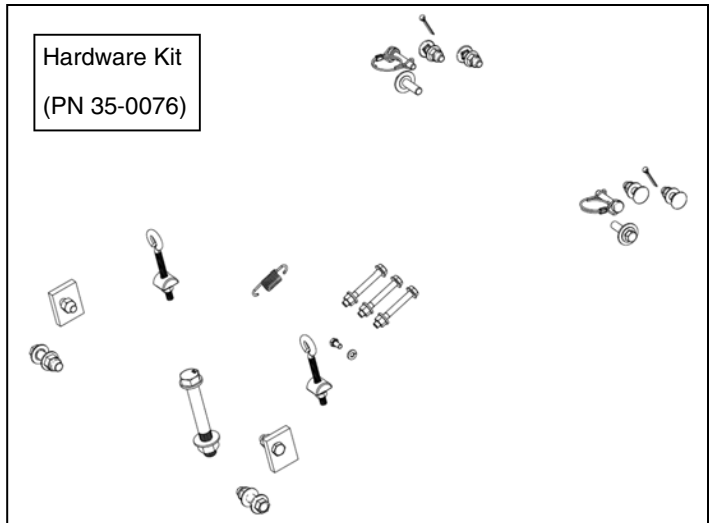
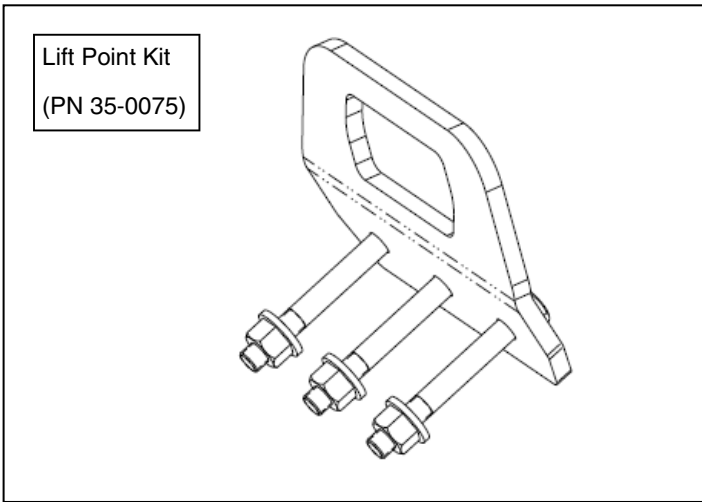


SERVICE KITS

Item	Description	Hardware kit P/N 35-0076	Pivot Lock Handle kit P/N 35-0077	Lift Point Bracket kit P/N 35-0075	Pivot Gear Plate kit P/N 35-0078	Lock Pin kit P/N 35-0079	Eyebolt kit P/N 34-0002
3	Pivot Lock Handle		1x				
4	Pivot Lock Gear Plate				1x		
9	Lift Bracket	2x		1x			
11	Small Tension Spring, Pivot Lock Handle	4x	1x				
12	Hex Screw, Zinc Plated, M6-1.0 x 18mm LG	1x	1x				
13	Lock Washer, Zinc Plated, M6	1x	1x				
14	Lock Pin	2x				2x	
15	Cotter Pin	2x					
16	Carriage Screw, Zinc Plated, M10-1.5 x 35mm LG	4x					
17	Hex Flange Locknut, Zinc Plated, M10-1.5	4x					
18	Hex Flange Screw, Zinc Plated, M10-1.5 x 35mm LG	2x					
19	Lock Washer, Zinc Plated, M10	2x					
20	Flat Washer, Zinc Plated, M10	2x					
23	Hex Flange Screw, Zinc Plated, M8-1.25 x 65mm LG	3x		3x			
24	Hex Flange Locknut, Zinc Plated, M8-1.25	10x		3x	5x		2x
25	Hex Flange Screw, Zinc Plated, M12-1.75 x 45mm LG	2x					
26	Hex Flange Locknut, Zinc Plated, M12-1.75	2x					
27	Eye Bolt, Zinc Plated, M8-1.25 x 115mm LG	2x					2x
28	Pivot Sleeve, Zinc Plated	2x					2x
29	Blade Stopper Plate, Zinc Plated	2x					
30	Hex Screw, Zinc Plated, M10-1.5 x 35mm LG	2x					
31	Hex Locknut, Zinc Plated, M10-1.5	2x					
32	Socket Head Cap Screw, Zinc Plt, M8-1.25 x 40mm LG	5x			5x		
33	Hex Flange Screw, M16-2.0 x 120mm LG	1x					
34	Flat Washer, Zinc Plated, M16	1x					
35	Hex Flange Locknut, Zinc Plated, M16-2.0	1x					

SERVICE KITS

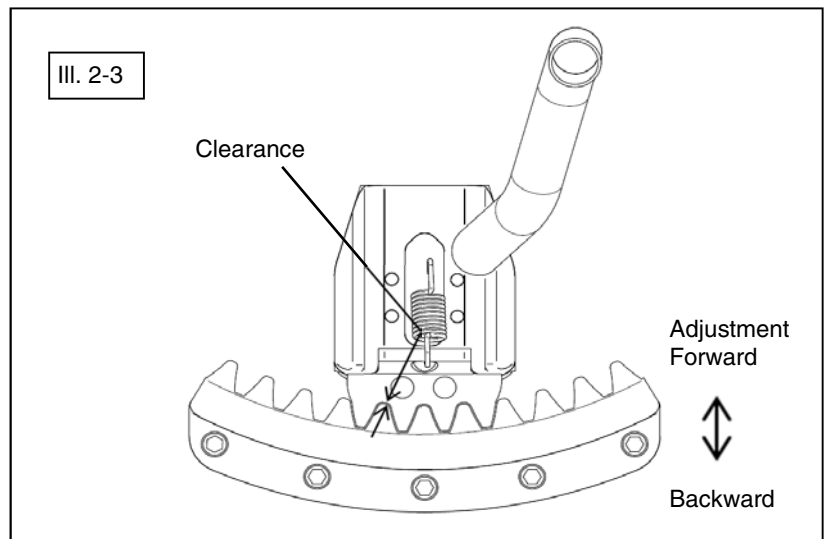
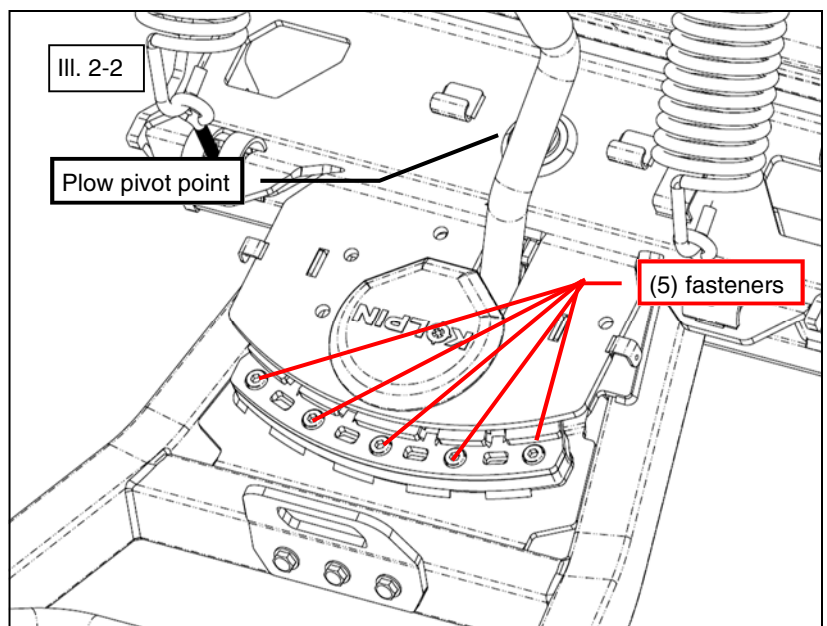
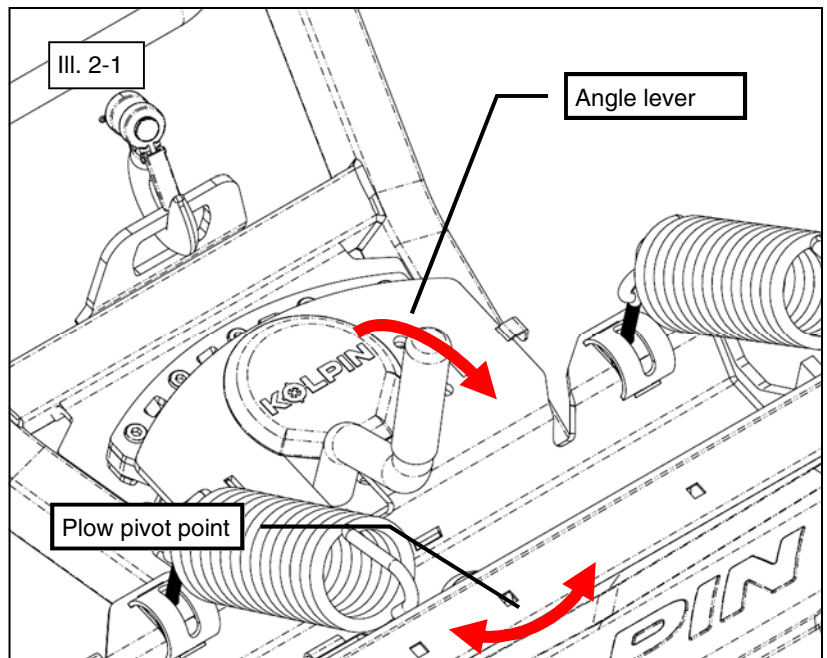
See the table on page 13 for a full description.



OPERATION INSTRUCTIONS

PIVOTING BLADE ANGLE SIDE TO SIDE

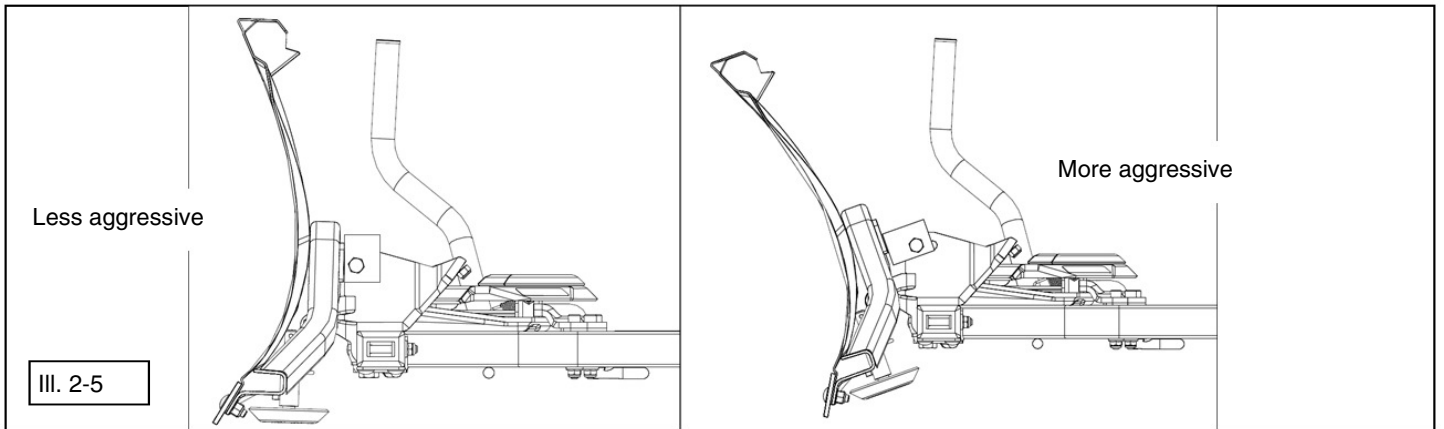
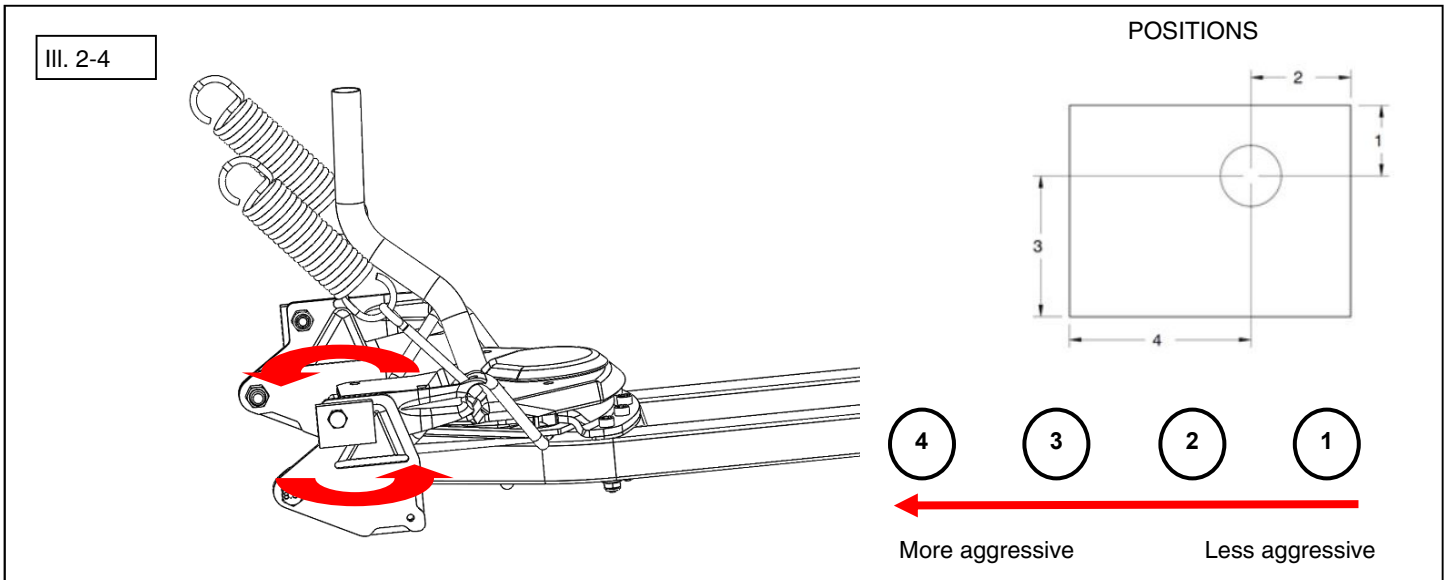
1. To adjust the angle of the plow blade so it pushes to the side, lift the plow up with the lift mechanism to clear the ground. Pull the pivot lock handle towards the blade and swivel the plow to desired angle. Release the pivot lock handle and the plow will lock itself in place at a predetermined angle on either side. (See illustration 2-1).
2. Be sure to frequently check that the (5) fasteners of the gear lock assembly are always tight to ensure good system function. (See illustration 2-2).
3. It is possible to adjust the clearance between the blade position lever and the blade position gear locking plate. Loosen the (5) bolts and move forward or backward the blade position gear locking plate. (See illustration 2-3).



OPERATION INSTRUCTIONS

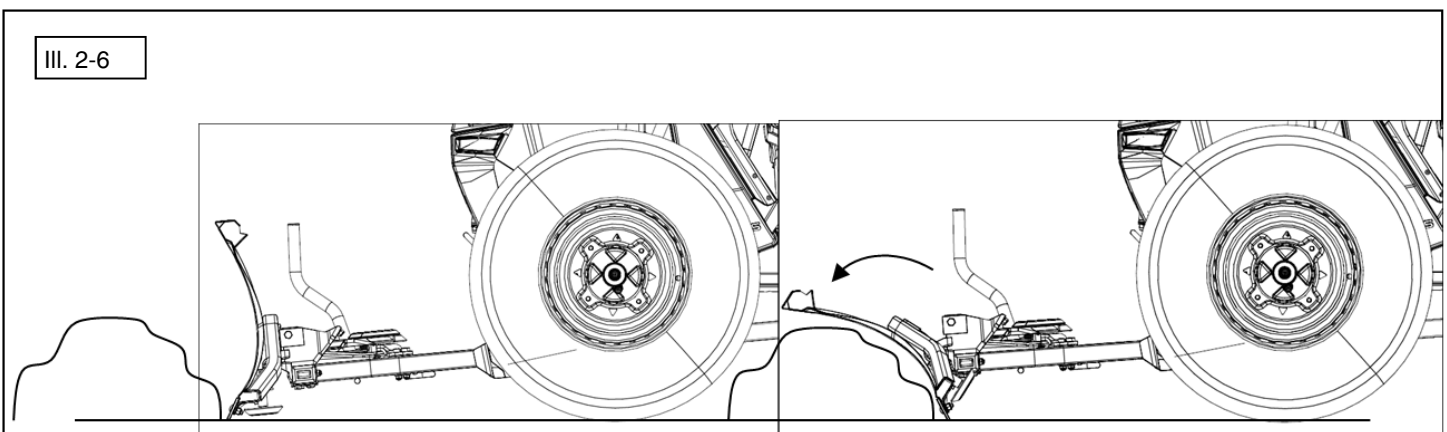
SCRAPING ANGLE ADJUSTMENT

4. Turn adjustable plow stoppers to one of the four positions in order to make the plow more aggressive or less aggressive. More aggressive will scrape better. Less aggressive will create more snow lift. Position 1 is the position with less material. (See illustrations 2-4 and 2-5).



BLADE TRIP HINGE FUNCTION

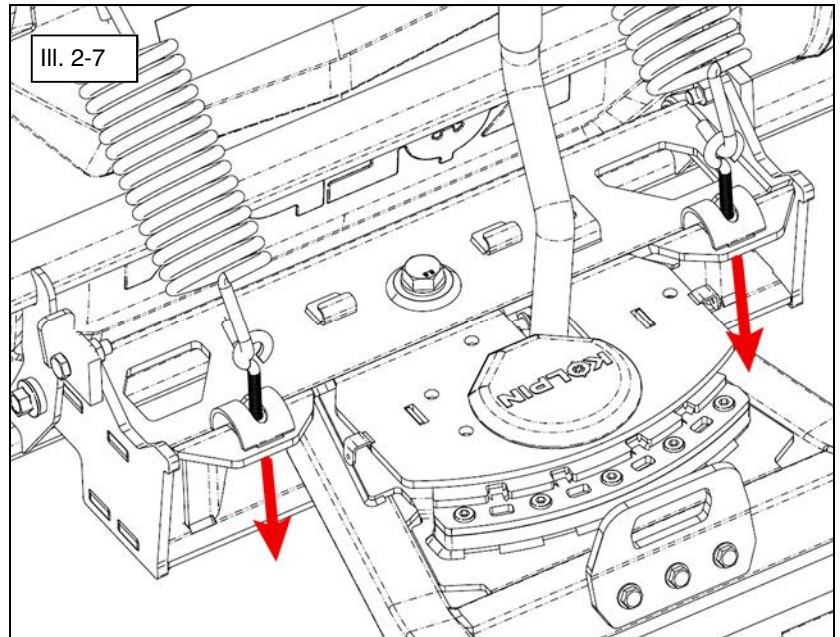
5. The plow is designed to trip forward when it hits a solid object. When the pressure on the plow is released, it will return to its original position by itself. (See illustration 2-6).



OPERATION INSTRUCTIONS

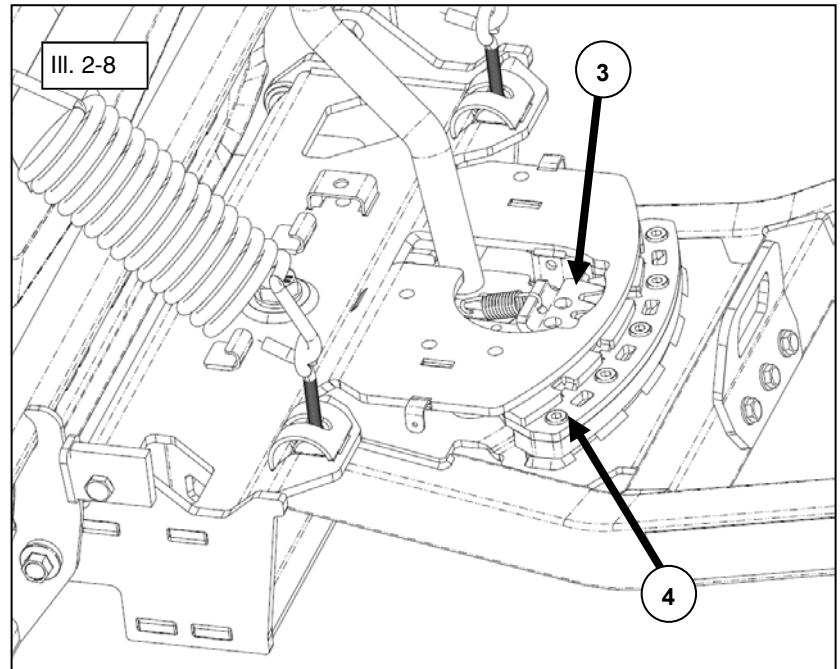
PLOW TRIPPING FORCE ADJUSTMENT

- The plow trip springs may be set stiffer by tightening the self-locking nuts located at the ends of the eye bolts. For less tension, loosen the nuts. (See illustration 2-7).



PLOW IMPACT SHEAR POINTS

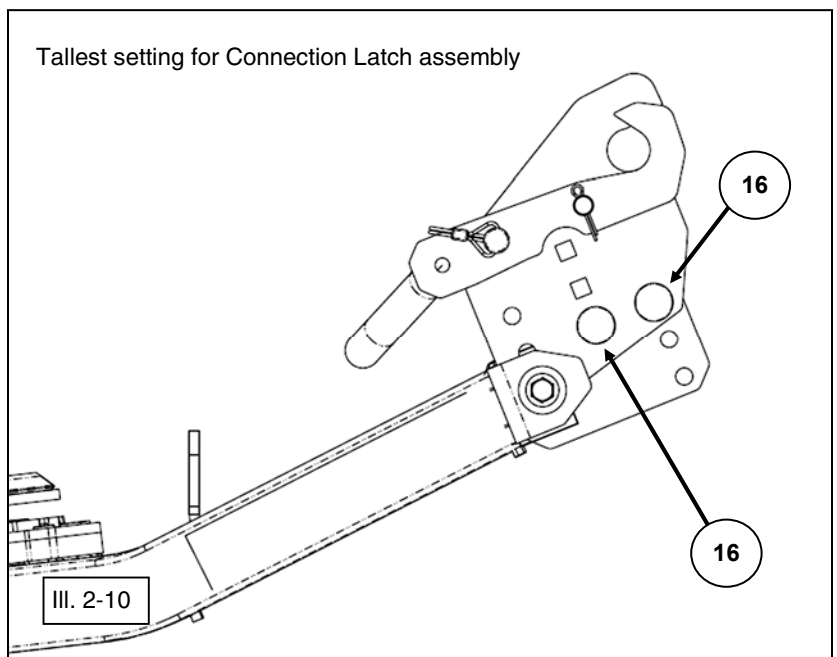
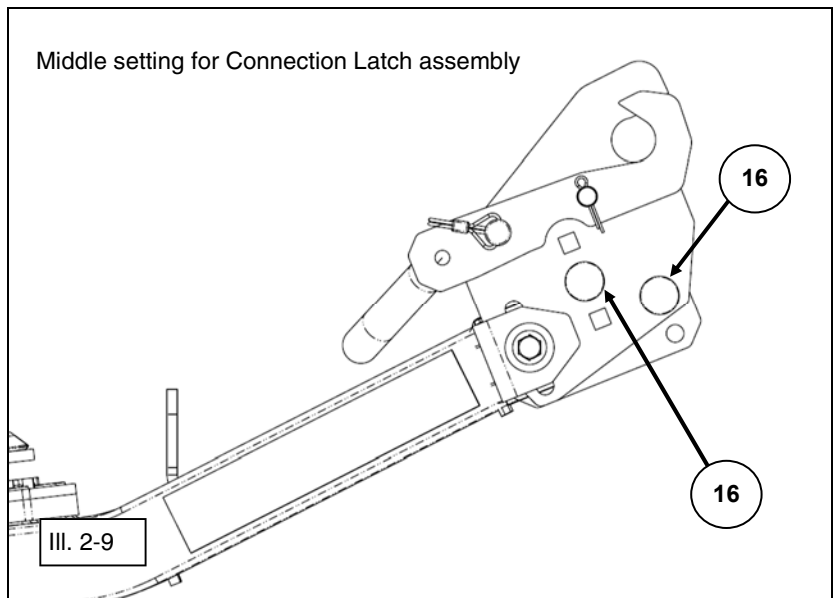
- In the event of a collision with an obstacle at a speed greater than that recommended for the system, the pivot lock handle (item #3) and/or pivot lock gear plate (item #4) will break to minimize the force of impact in the frame. If the pivot lock handle and/or pivot lock gear plate is broken, inspect the plow system for broken parts. If any part is damaged, the impact velocity was greater than what the system is designed to support. You must then buy a replacement part from your dealer and/or Kolpin customer care. (See illustration 2-8).



OPERATION INSTRUCTIONS

VEHICLE GROUND HEIGHT ADJUSTMENT

- The plow frame has built-in ground height adjustment tabs for the connection latch assembly. For vehicles that have larger tires or higher ground clearances, the connection latch can be adjusted into the middle position as shown. Adjusting the connection latch will help keep the plow level for higher ground clearances, example 28" - 29" tire sizes. (See illustration 2-9). **Note, refer to installation step 6 for details. The side brackets will be installed into the middle position.**
- For extra tall vehicles, example 30" or larger tire sizes, adjust the connection latch assembly into the highest position. (See illustration 2-10). **Note, refer to installation step 6 for details. The side brackets will be installed into the tallest position.**





Two Year Limited Warranty

For the period of two (2) years from the purchase date, Kolpin will replace for the original purchaser, free of charge, any part or parts found upon examination by Kolpin to be defective in material, workmanship, or both.

All transportation costs incurred submitting product to Kolpin for warranty consideration must be borne by the purchaser. If Kolpin determines that the product must be returned to the factory for credit, please call 1-877-956-5746 for a Return Merchandise Authorization (RMA) number and shipping instructions.

This warranty does not apply to parts that have been damaged by accident, alteration, abuse, improper maintenance, normal wear, or other causes beyond the manufacturer's control. In order to protect you and your ATV, certain parts of the plow system and/or hardware are designed to fail when the equipment is over-stressed. Parts that are lost due to loosening and improper maintenance are not covered under warranty. This warranty does not cover removal or reinstallation labor fees of the plow system and related components.

Peripheral products such as engines, electric motors, and actuators may carry an original manufacturer's warranty. Most hardware is general in nature and is easily obtained locally. Be sure to replace with minimum metric class 8.8 specification.

Kolpin Outdoors, Inc.

Telephone: (763)-478-5800

Toll Free: (877)-956-5746

Fax Number: (800)-245-7569

www.kolpin.com

Email: customerservice@kolpin.com