



ATV Harrow

TITAN
ATTACHMENTS

Owner's Manual



This Product is Distributed Exclusively by
Titan Distributors Inc
141 Eastley St. Ste. 113 Collierville, TN 38017
Customer Service
800 - 605 - 8241
www.palletforks.com

Carefully read and understand all assembly and operation instructions before operating. Failure to follow the safety rules and other basic safety precautions may result in serious personal injury. Save this owner's manual for future references.

INTENDED USE

Used for Driveway, Parking Lot, or Park Leveling

TECHNICAL SPECIFICATIONS

5.5FT working width

Up to 50LBS of weight can be added to the top

GENERAL SAFETY RULES



WARNING: Read and understand all instructions. Failure to follow all instructions listed below may result in serious injury.



CAUTION: Do not allow persons to operate or assemble this landscape drag until they have read this manual and have developed a thorough understanding of how the landscape drag works.



WARNING: The warnings, cautions, and instructions discussed in this instruction manual cannot cover all possible conditions or situations that could occur. It must be understood by the operator that common sense and caution are factors which cannot be built into this product, but must be supplied by the operator.

MAINTENANCE

It is recommended that the general condition of any landscape drag be examined before it is used. Keep your landscape drag in good repair by adopting a program of conscientious repair and maintenance. If any abnormal vibrations or noise occurs, have the problem corrected before further use. Have necessary repairs made by qualified service personnel.

WORK AREA

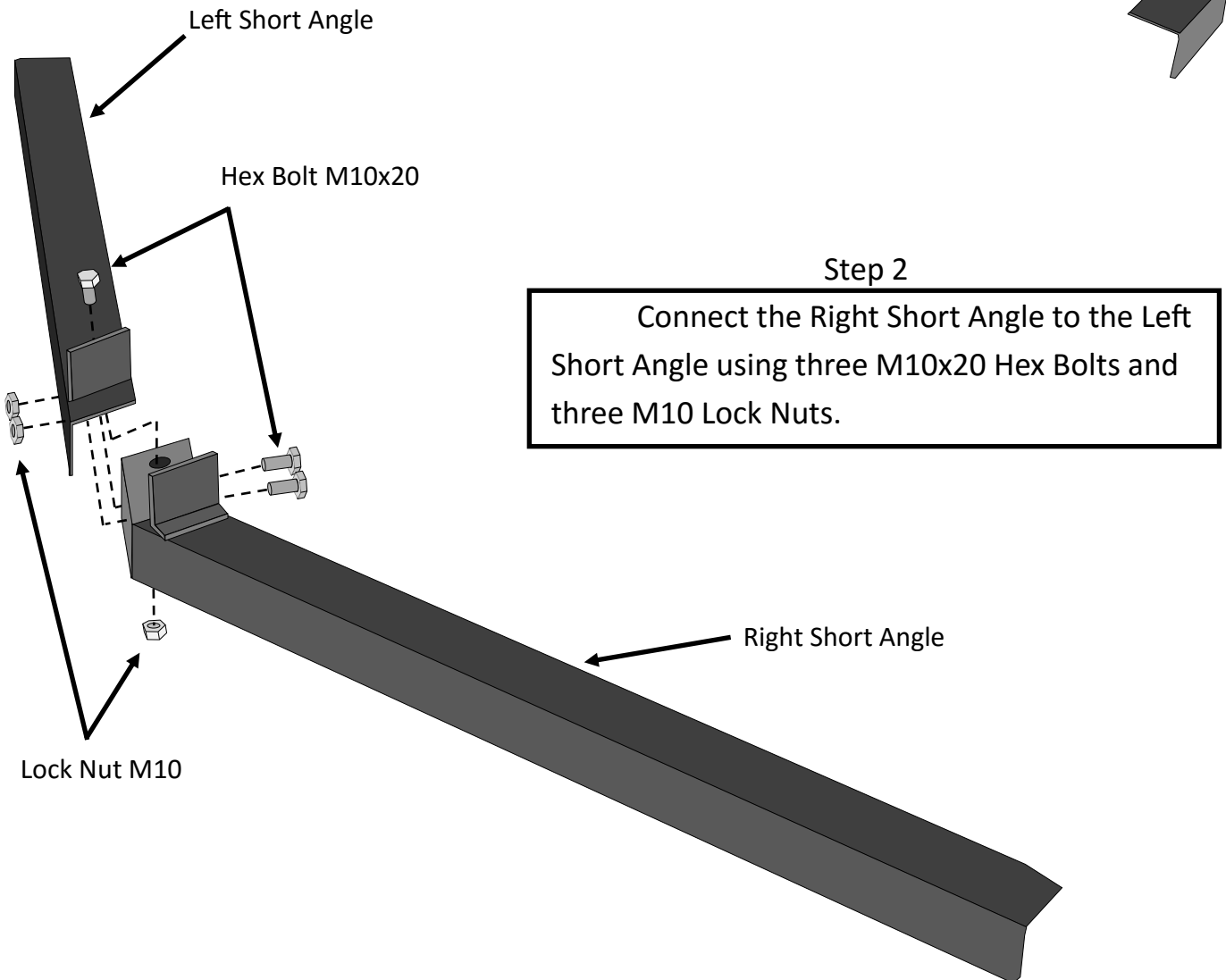
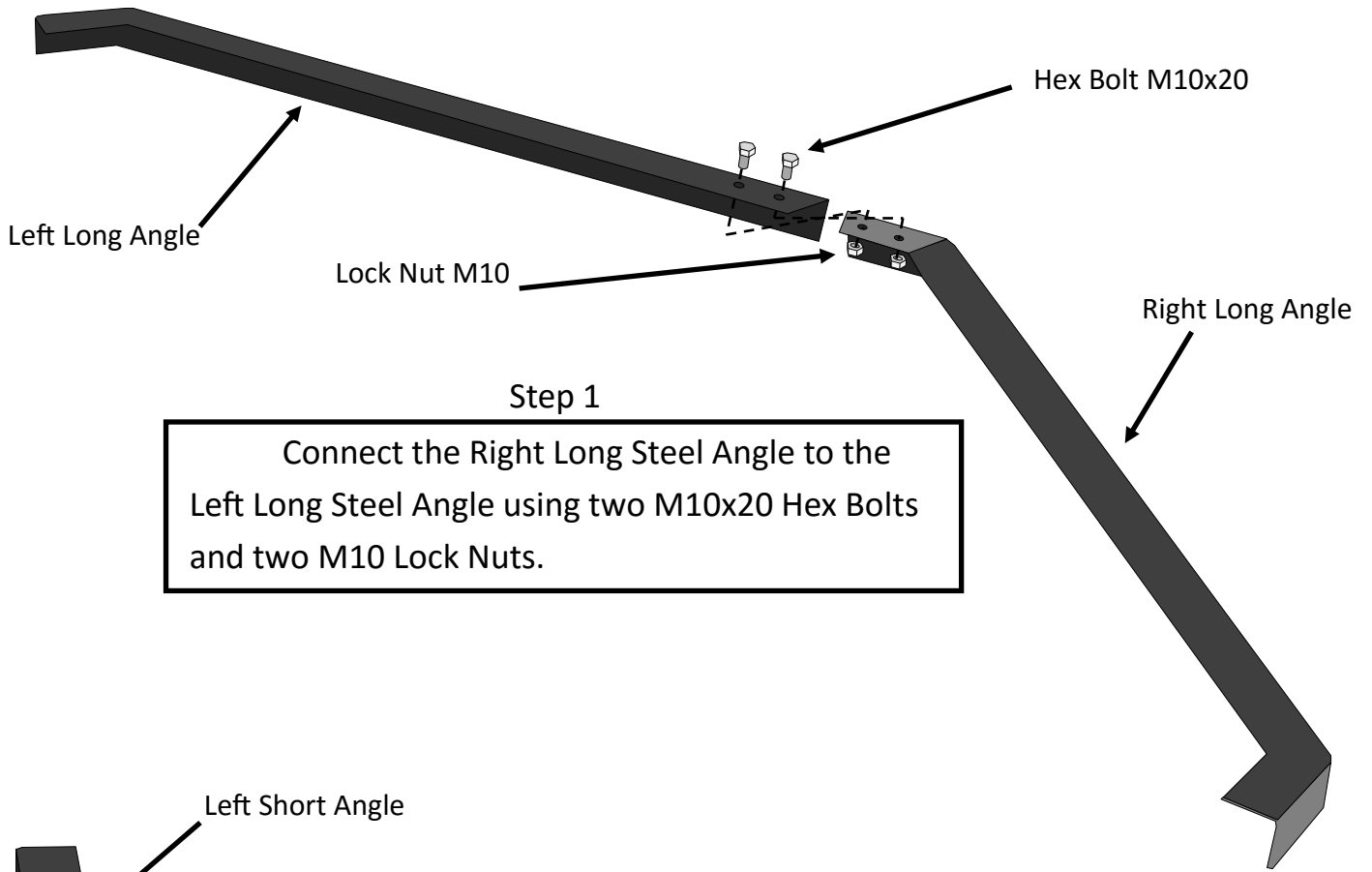
- Keep work area clean, free of clutter and well lit. Cluttered and dark work areas can cause accidents.
- Keep children and bystanders away while operating a landscape drag. Distractions can cause you to lose control, so visitors should remain at a safe distance from the work area.
- Be aware of all power lines, electrical circuits, water pipes and other mechanical hazards in your work area, particularly those hazards below the work surface hidden from the operator's view that may be unintentionally contacted and may cause personal harm or property damage.
- Be alert of your surroundings. Using a landscape drag in confined work areas may put you dangerously close to cutting tools and rotating parts.

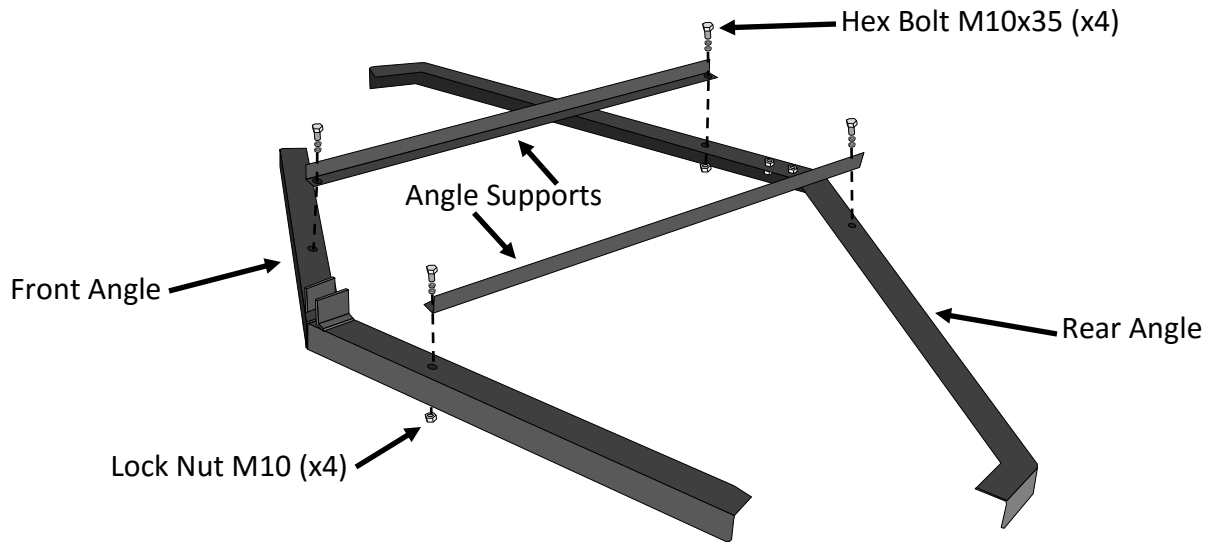
PERSONAL SAFETY

- Stay alert, watch what you are doing and use common sense when using a landscape drag. Do not use a landscape drag while you are tired or under the influence of drugs, alcohol or medication. A moment of inattention while operating a landscape drag may result in serious personal injury.
- Dress properly. Do not wear loose clothing, dangling objects, or jewelry. Keep your hair, clothing and gloves away from moving parts. Loose clothes, jewelry or long hair can be caught in moving parts.
- Use safety apparel and equipment. Use safety goggles or safety glasses with side shields which comply with current national standards, or when needed, a face shield. Use a dust mask in dusty work conditions. This applies to all persons in the work area. Also use non-skid safety shoes, hardhat, gloves, dust collection systems, and hearing protection when appropriate.

LANDSCAPE DRAG USE AND CARE

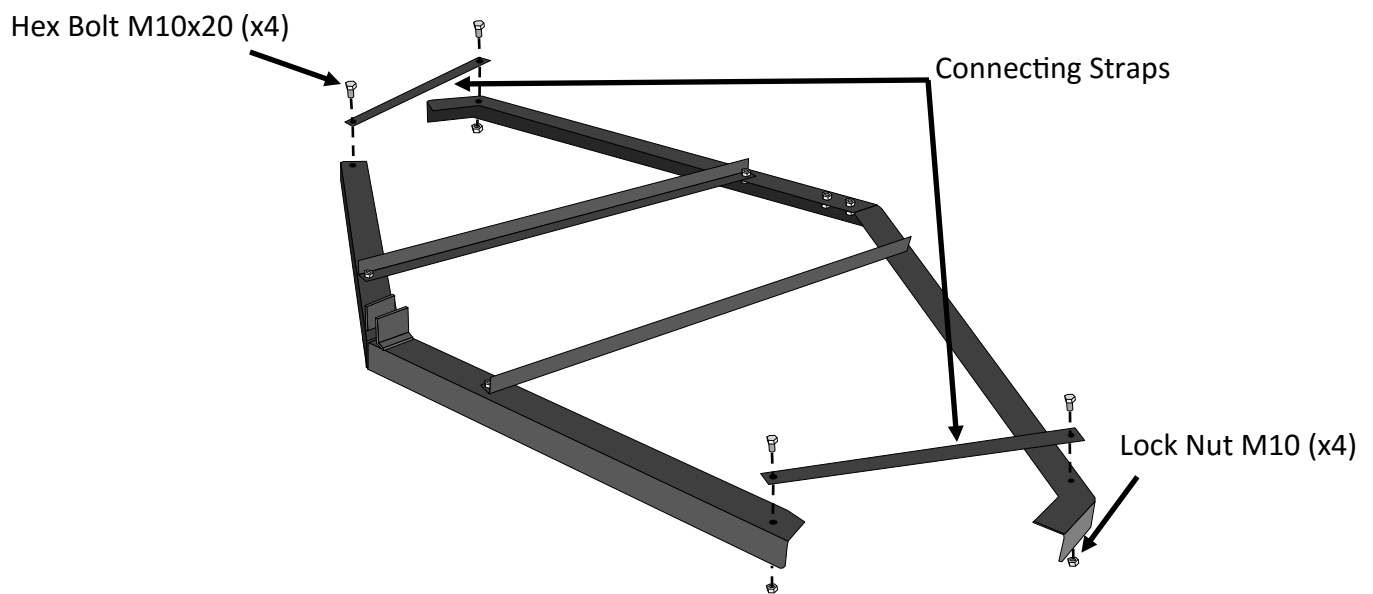
- Do not modify the landscape drag in any way. Unauthorized modification may impair the function and/or safety and could affect the life of the equipment. There are specific applications for which the landscape drag was designed.
- Always check for damaged or worn out parts before using the landscape drag. Broken parts will affect the landscape drag operation. Replace or repair damaged or worn parts immediately.
- Do not exceed the landscape drag load capacity.
- Distribute the load evenly. Uneven loads may cause the landscape drag to tip, resulting in personal injury to the operator or others.
- Use the landscape drag on flat and level surfaces capable of supporting the landscape drag and its maximum load. Pulling or pushing a load on a slanted or uneven surface can result in loss of control.
- Store idle landscape drag. When landscape drag is not in use, store it in a secure place out of the reach of children. Inspect it for good working condition prior to storage and before re-use.





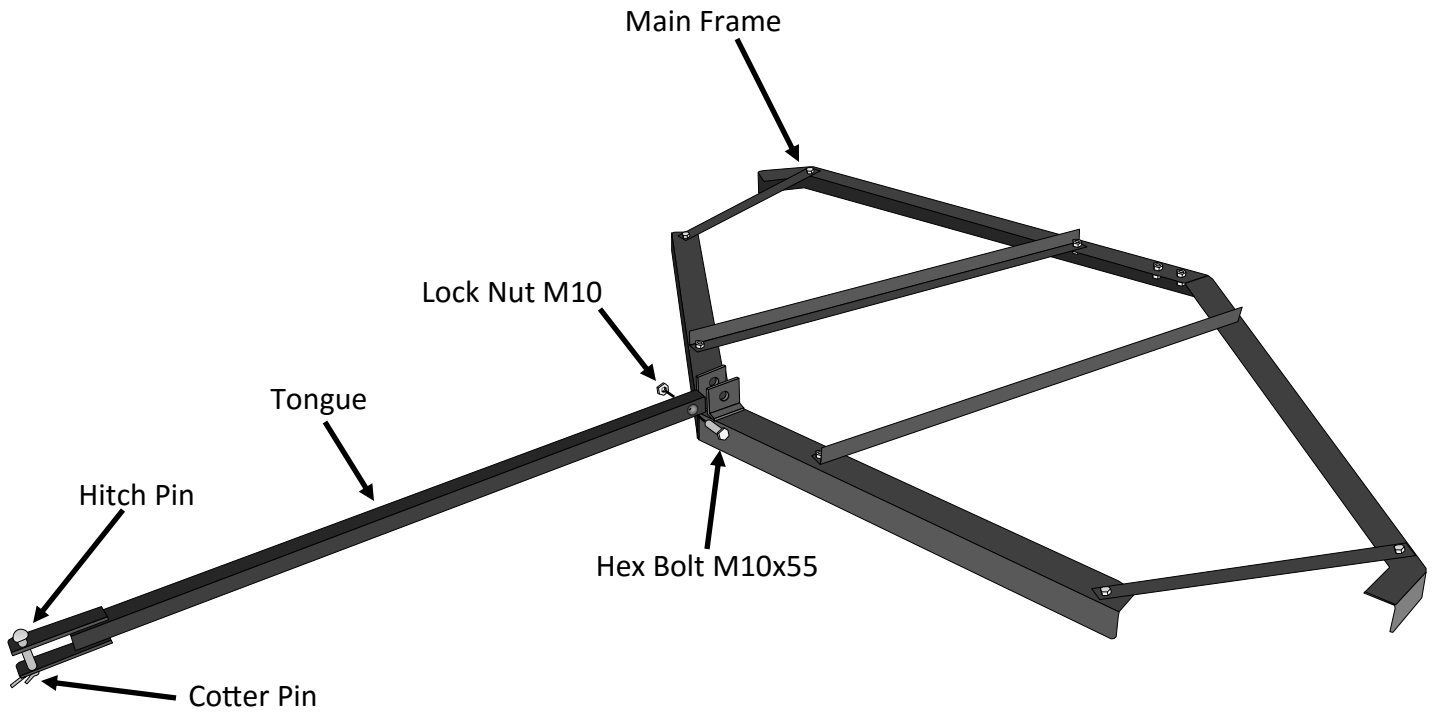
Step 3

Connect the Front Angle Assembly to the Rear Angle Assembly with the two Angle Supports using four M10x20 Hex Bolts and four M10 Lock Nuts.



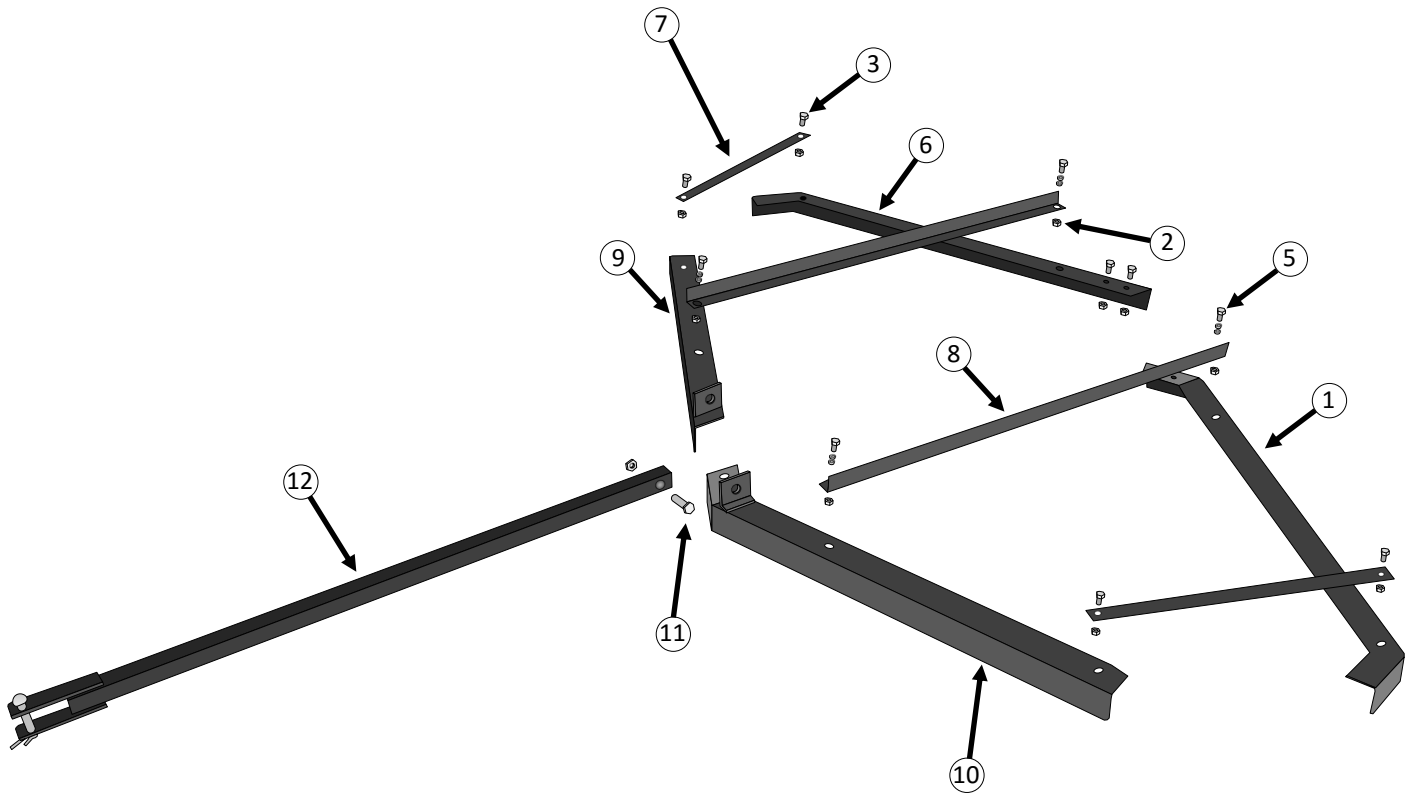
Step 4

Connect the Front Angle Assembly to the Rear Angle Assembly with the two Connecting Straps using four M10x20 Hex Bolts, and four M10 Lock Nuts.



Step 5

Connect the Tongue to the Main Frame using the M10x55 Hex Bolt and the M10 Lock Nut. Install the Hitch Pin and Cotter Pin



Part No.	Description	QTY	Part No.	Description	QTY
1	Right Long Angle	1	8	Angle Support	2
2	Lock Nut M10	16	9	Left Small Angle	1
3	Hex Bolt M10x20	11	10	Right Small Angle	1
			11	Bolt M10x55	1
5	Hex Bolt M10x35	4	12	Tongue	1
6	Left Long Angle	1			
7	Connector Straps	2			