

Polaris Ranger XP 1000 Front Half Steel Doors

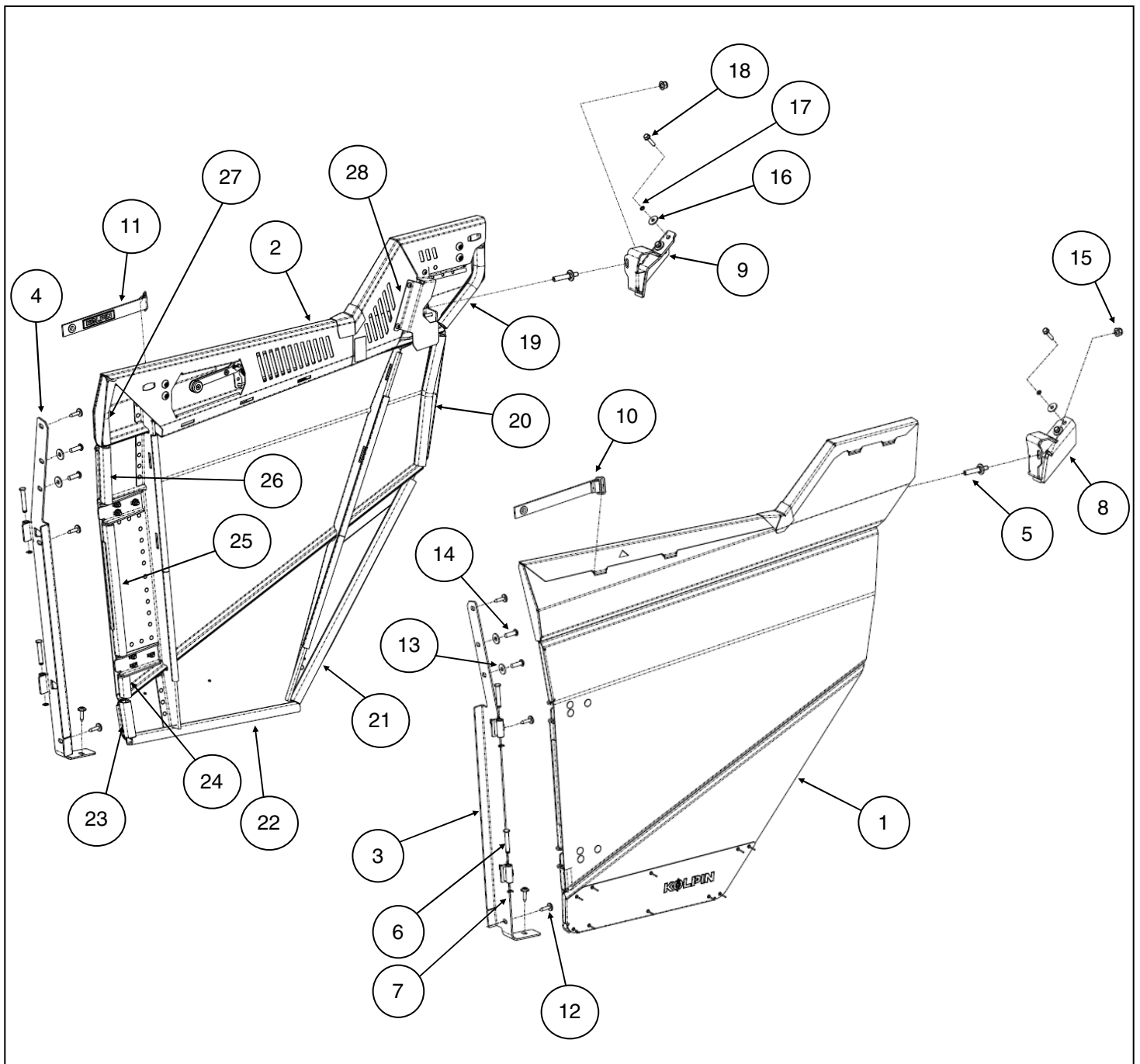


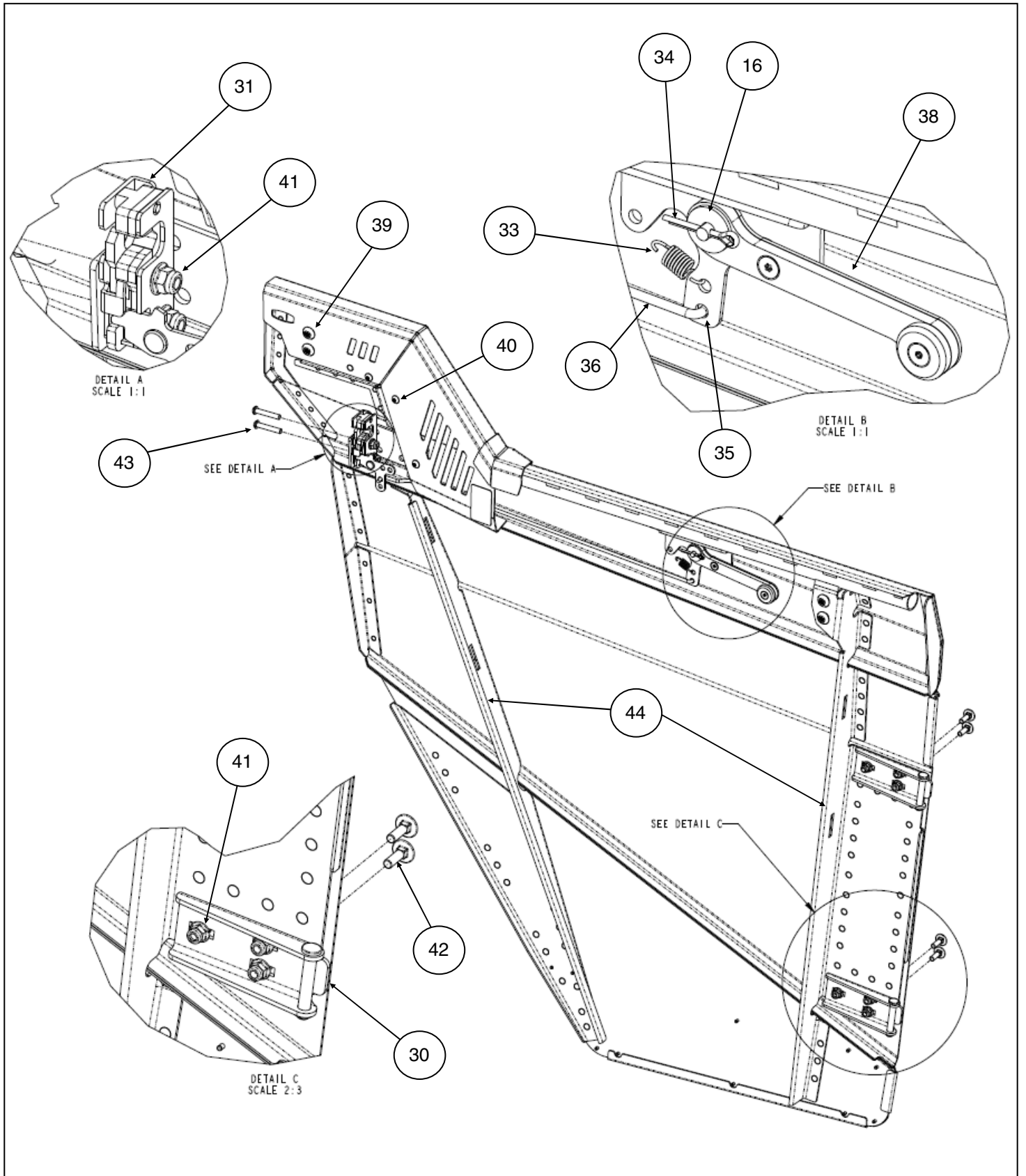
Product Instructions | Part No: 32000

Application: Polaris Ranger XP 1000 / Ranger 1000, verify accessory fitment at Kolpin.com.

Before You Begin: Read these instructions and check to be sure all parts and tools are accounted for. Please retain these installation instructions for future reference and parts ordering information.

Note: If any hardware is missing, do not return to the store. Call us to help, Toll Free 1-877-956-5746.





This Kit includes:

Item	Qty	Part Description	Part Number
1	1	LH Ranger Door	-
2	1	RH Ranger Door	-
3	1	LH Vehicle-Side Hinge Bracket	32000-CP05
4	1	RH Vehicle-Side Hinge Bracket	32000-CP16
5	2	Door Striker Pin, Zinc Plated	32000-CP20
6	4	Door Hinge Pin, Zinc Plated	32000-CP01
7	4	Pin E-Clip, M6, DIN 6799	32000-CP01
8	1	LH Door Striker Bracket	-
9	1	RH Door Striker Bracket	-
10	1	LH Door Limit Strap	32000-CP24
11	1	RH Door Limit Strap	32000-CP24
12	8	Truss Screw, Zinc Plated, M6 x 1.0 - 25mm LG, T40 Thread Forming	7519650
13	4	M8 Flat Washer, Zinc Plated	7555960
14	4	Torx Button Head Screw, Zinc Plated, M8 x 1.25 - 25mm LG	7519728
15	2	Hex Flange Locknut, Zinc Plated, M8 x 1.25	7547332
16	6	M6 Flat Washer, Zinc Plated	7556386
17	4	M6 Lock Washer, Zinc Plated	-
18	4	Hex Flange Screw, Zinc Plated, M6 - 1.0 x 25mm LG	7516823
19	2	D-Trim Door Seal Strip, 200mm LG	32000-CP04
20	2	D-Trim Door Seal Strip, 285mm LG	32000-CP04
21	2	D-Trim Door Seal Strip, 525mm LG	32000-CP04
22	2	D-Trim Door Seal Strip, 416mm LG	32000-CP04
23	2	D-Trim Door Seal Strip, 76mm LG	32000-CP04
24	2	D-Trim Door Seal Strip, 48mm LG	32000-CP04
25	2	D-Trim Door Seal Strip, 290mm LG	32000-CP04
26	2	D-Trim Door Seal Strip, 132mm LG	32000-CP04
27	2	D-Trim Door Seal Strip, 165mm LG	32000-CP04
28	1	RH Door Latch Cover	-
29	1	LH Door Latch Cover (not shown)	-
30	4	Door Hinge, Zinc Plated	32000-CP02
31	1	LH Door Inner Latch, Zinc Plated, R4-10	32000-CP03
32	1	RH Door Inner Latch, Zinc Plated, R4-10 (not shown)	32000-CP03
33	2	Door Lever Spring, Zinc Plated	-
34	2	Cotter Pin, Zinc Plated	-
35	4	Link Clip Retainer, Black	-
36	2	Linkage Rod, Zinc Plated	-
37	1	RH Inner Door Handle (not shown)	32000-CP18
38	1	LH Inner Door Handle	32000-CP08
39	8	Torx Button Head Screw, Zinc Plated, M8 x 1.25 - 15mm LG	7520311
40	6	Torx Button Head Screw, Zinc Plated, M6 x 1.0 - 12mm LG	7518330
41	16	Hex Flange Locknut, Zinc Plated, M6 - 1.0	7548027
42	12	Carriage Screw, Zinc Plated, M6 - 1.0 x 20mm LG	7518994
43	4	Button Head Screw, Zinc Plated, M6 - 1.0 x 35mm LG	7519253
44	4	Edge Rubber Trim Seal, 550mm LG	32000-CP04

Tools Required:

- Safety Glasses
- Socket Set, Torx Bit
- Socket Set, Metric
- Torque Wrench
- Wrench Set, Metric

Assembly Time: Approximately 30 minutes

Note: The 32000 kit comes mostly assembled from the factory. Some assembly is required.

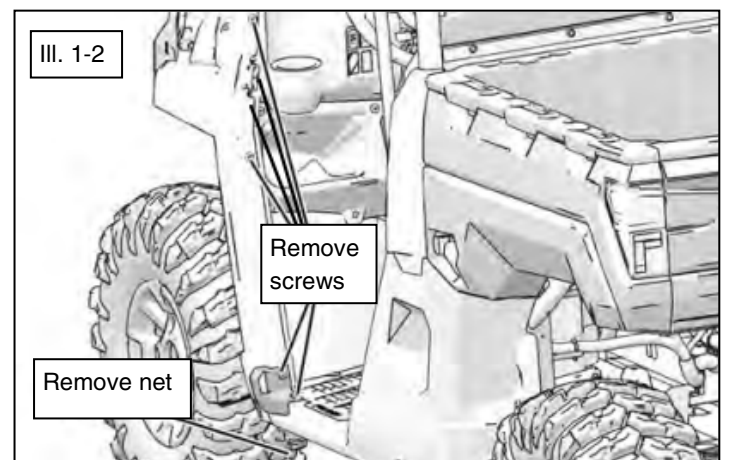
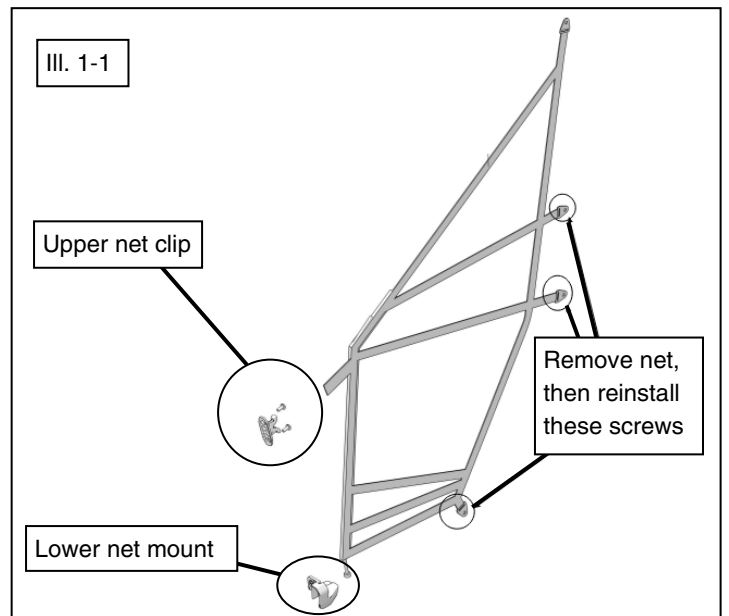
Important: Your Kolpin Ranger XP 1000 Half Door Kit is exclusively designed for your vehicle. Please read the installation instructions thoroughly before beginning. Installation is easier if the vehicle is clean and free of debris. For your safety, and to ensure a satisfactory installation, perform all installation steps correctly in the sequence shown. Additional time may be required to accommodate other installed accessories.

NOTICE

Kolpin recommends two people install this kit.

RANGER PREPARATION:

1. Shift vehicle transmission into "PARK". Turn ignition key to "OFF" position and remove from vehicle ignition.
2. Using hand tools (not electric powered), remove LH side net, upper net clip on door frame and lower net mount on floor. Remove the other T40 Torx drive head screws from the door frame as shown. (See illustrations 1-1 and 1-2). **Note, reinstall the screws noted to hold bolster bar and lower rear fender.**
3. Remove the LH RANGER door assembly from the packaging.



RANGER DOOR INSTALLATION:

- Install LH vehicle-side hinge (item #3) first using two M8 screws (item #14) with two M8 washers (item #13) and secondly using four M6 screws (item #12) as shown. (See illustrations 1-3, 1-4 and 1-5). **Note, some items hid for clarity. Start M8 screws by hand before tightening with tool.**

NOTE

LH Door is pre-assembled to LH Vehicle-Side Hinge.

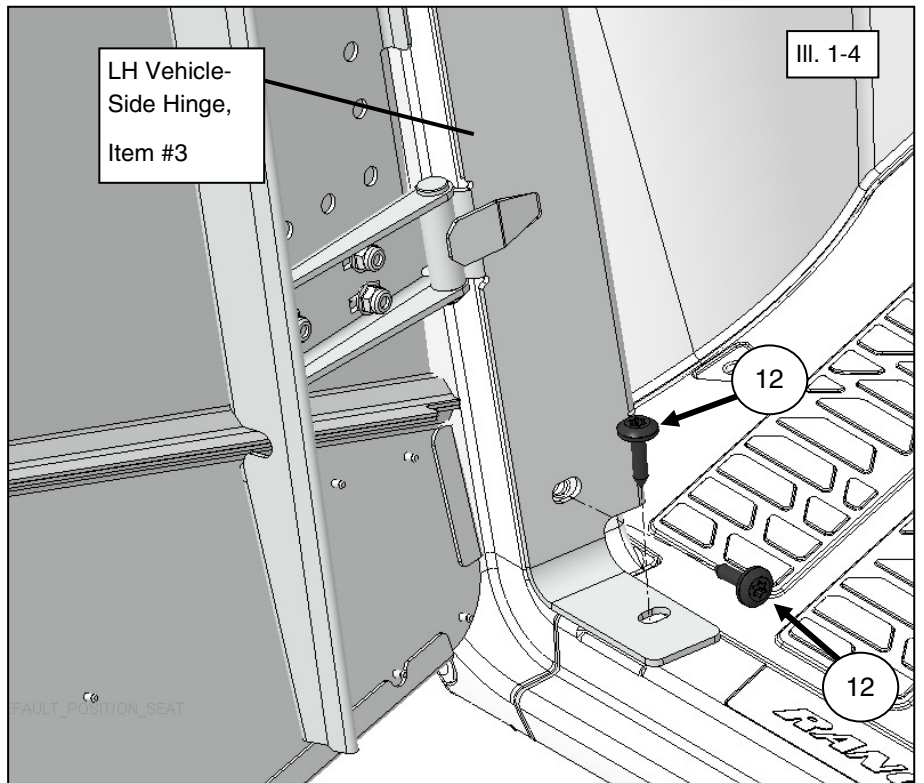
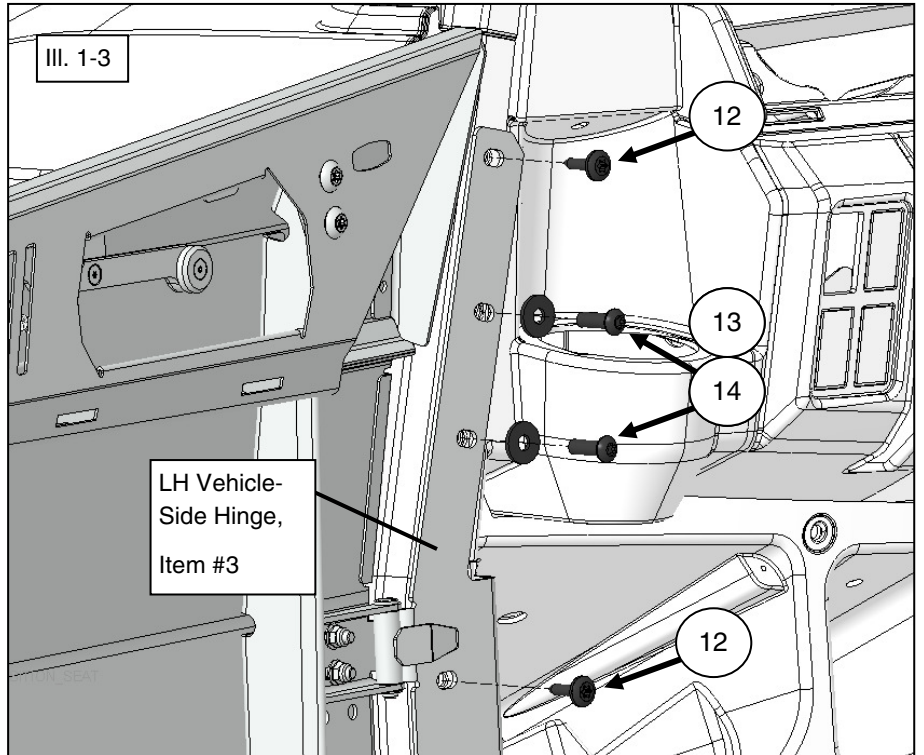
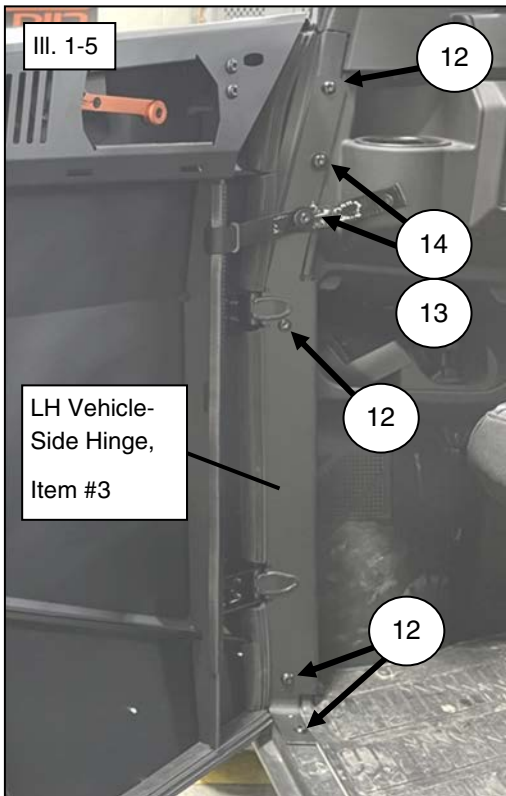
- Tighten screws to specification noted.



ITEM #12 M6 FASTENER TORQUE:
3.5 ft. lbs. (4.7 Nm)



ITEM #14 M8 FASTENER TORQUE:
17 ft. lbs. (23.0 Nm)




**RANGER DOOR INSTALLATION
(continued):**

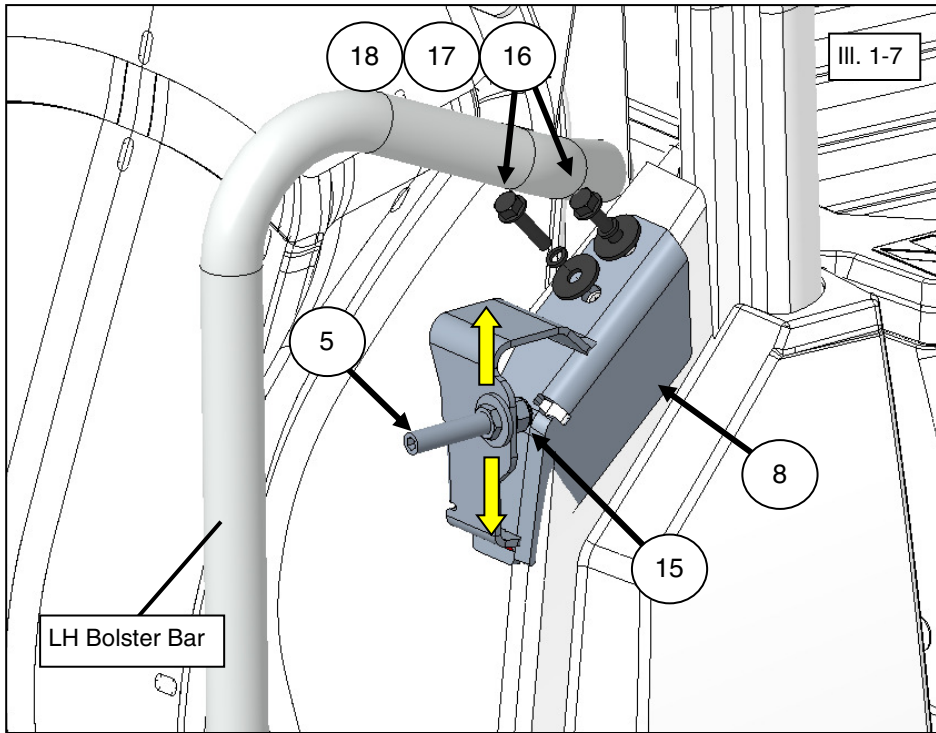
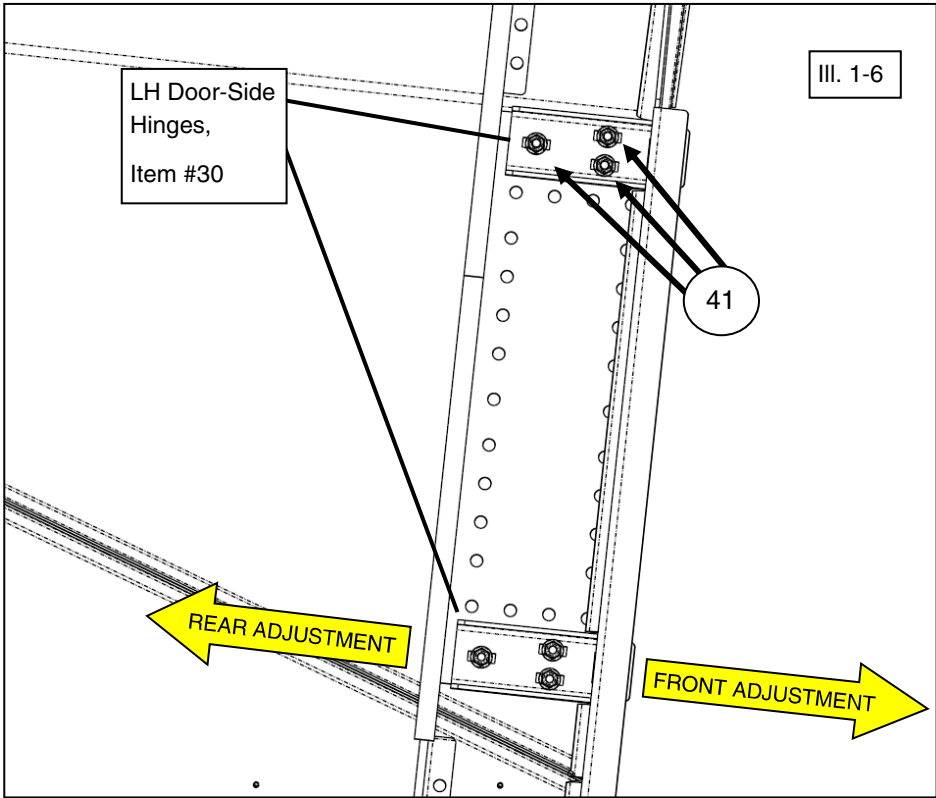
6. Slightly loosen the LH door-side hinges (item #30) by loosening the six M6 hex flange locknuts (item #41). (See illustration 1-6).
7. Then close door. Push door inwards while centering door in ROPS/ chassis opening, checking front-to-rear adjustment, then tighten locknuts to specifications. (See illustrations 1-6 and 1-9).

TIP
Have one person push and center the door, and a second person tighten the screws.

8. Install LH striker bracket (item #8) using two hex flange M6 screws (item #16) with two M6 lock washers (item #17) and two M6 flat washers (item #18) as shown. (See illustration 1-7).
9. Tighten to specifications noted.

 = T
ITEM #41 DOOR HINGE M6 LOCK-NUTS / ITEM # 16 STRIKER BRACKET M6 FASTENER TORQUE: 7 ft. lbs. (9.5 Nm)

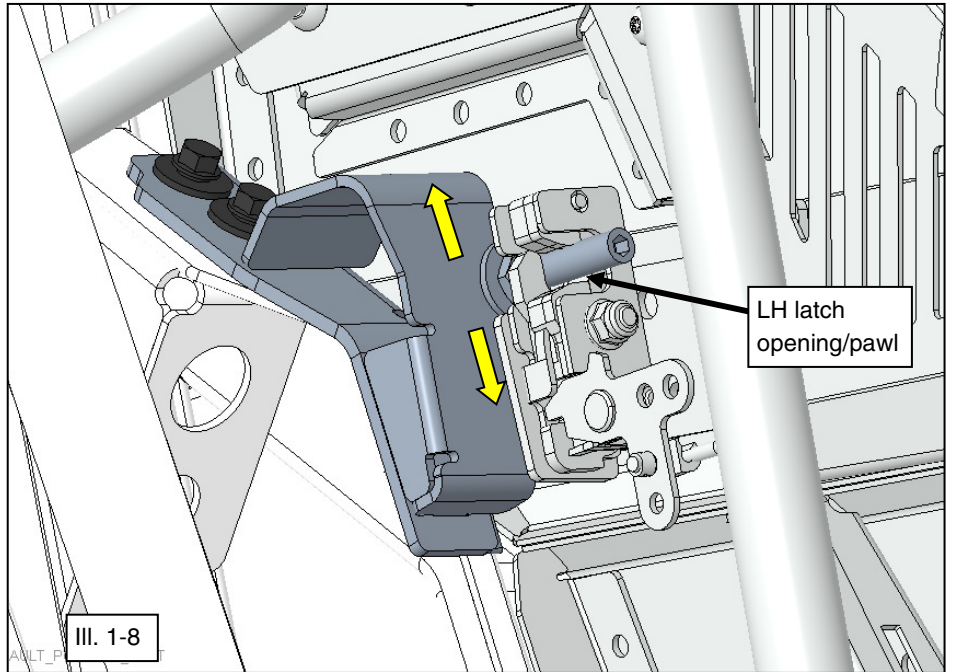
NOTE
Striker pin (item #5) and striker locknut (item #15) is pre-assembled to LH Striker Bracket.




**RANGER DOOR INSTALLATION
(continued):**

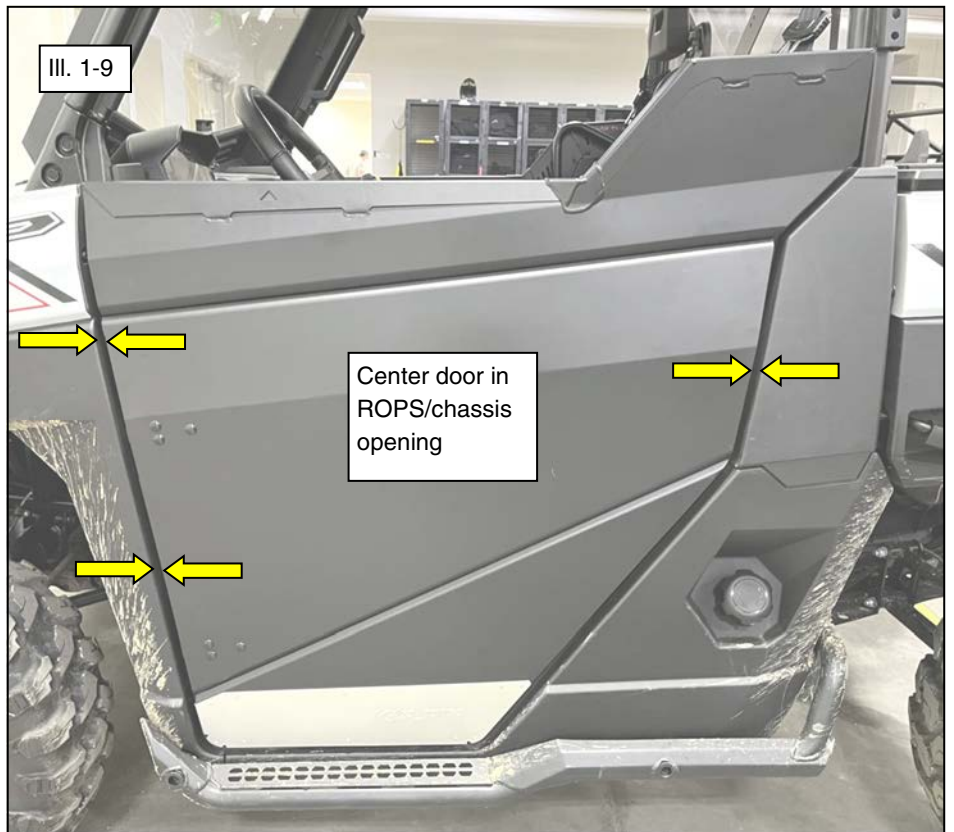
- 10. Open door latch handle (lifting up on orange handle), then slowly close door and observe engagement of striker pin into door latch.
- 11. Adjust striker pin to achieve the following:

HEIGHT: Pin should be centered vertically between upper and lower latch opening/ pawls. To adjust, loosen the M8 locknut (item #15) on striker pin/bracket, slide striker pin up or down as required, then retighten M8 striker pin locknut to specification. (See illustrations 1-7 and 1-8).



 = T
ITEM #15 STRIKER PIN M8 LOCKNUT FASTENER TORQUE: 12 ft. lbs. (16.3 Nm)

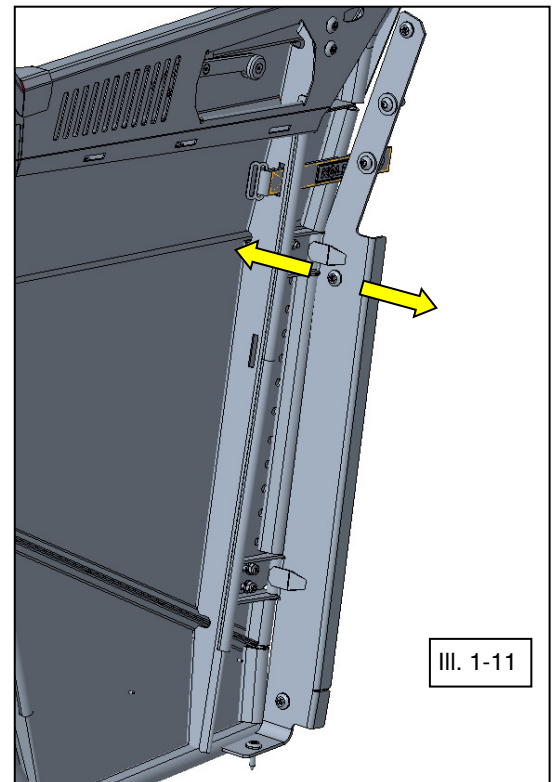
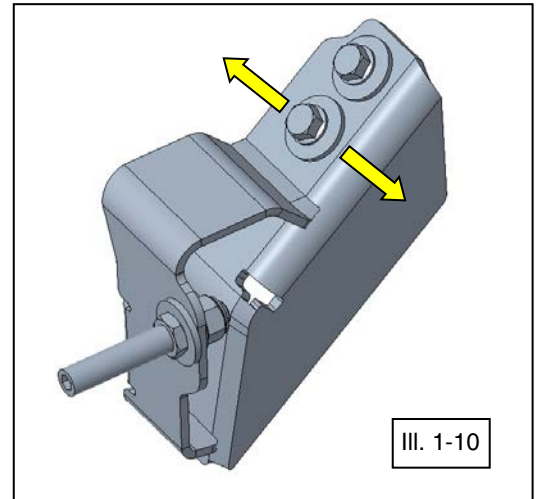
 = T
ITEM #43 LATCH M6 SCREW FASTENER TORQUE: 7 ft. lbs. (9.5 Nm)



RANGER DOOR INSTALLATION (continued):

12. Adjust vehicle-hinge and/or striker bracket to achieve the following:

DEPTH: There should be clearance between the top of door and bolster bar. To adjust, loosen striker bracket two screws, and slide bracket left-right of vehicle centerline. To provide more depth adjustment, loosen the vehicle-side hinge six screws and slide bracket left-right of vehicle centerline. (See illustrations 1-10 and 1-11).



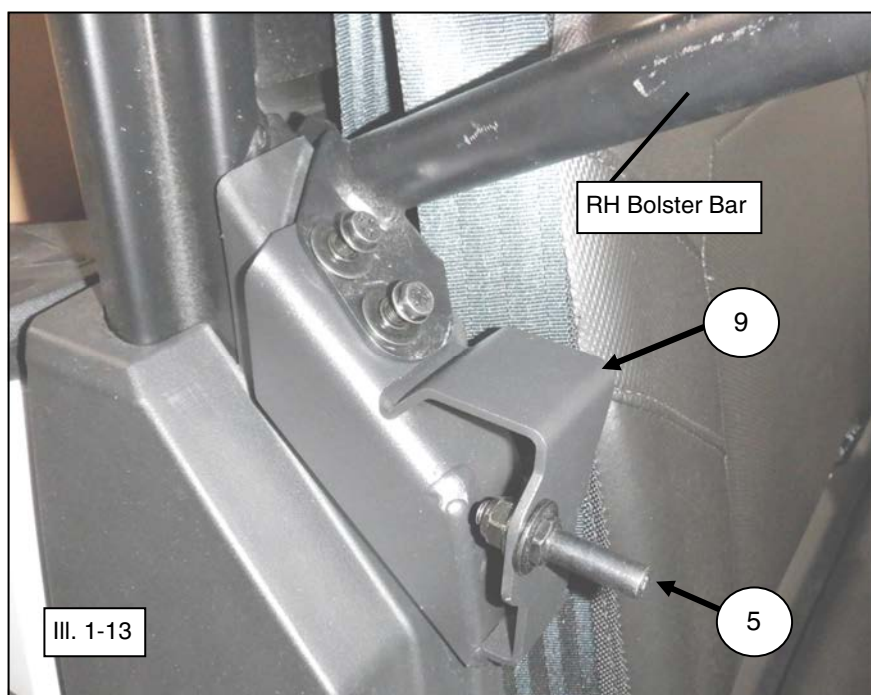
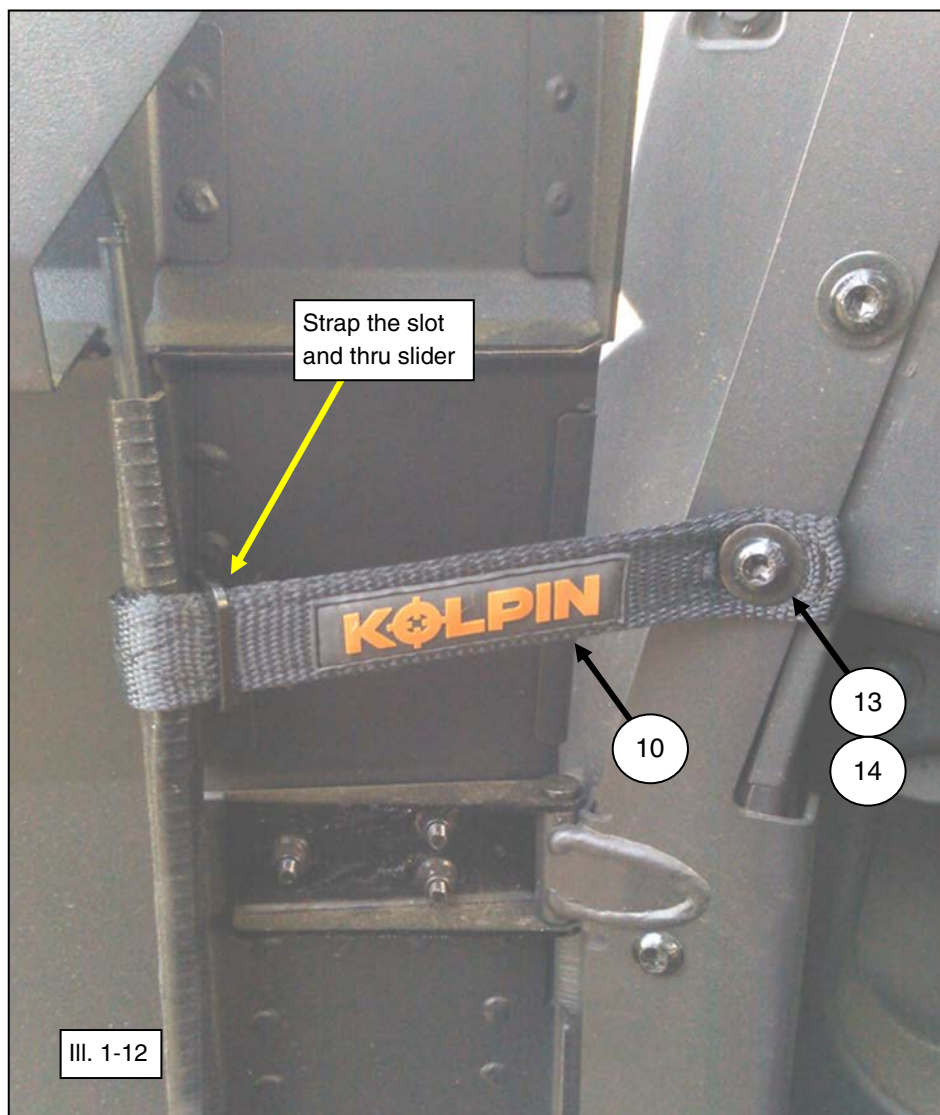
RANGER DOOR INSTALLATION (continued):

13. Install LH door limiter strap (item #10) by feeding strap through opening slot in door frame, looping through steel slider. Then remove M8 screw and re-tighten screw by inserting thru strap grommet hole as shown. (See illustration 1-12).

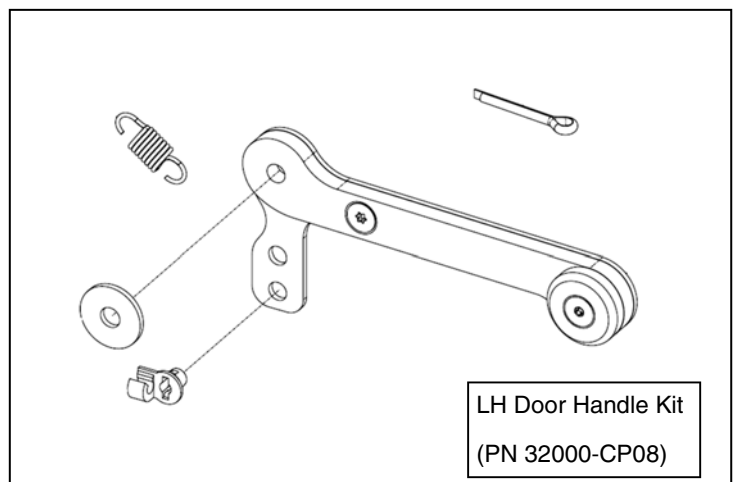
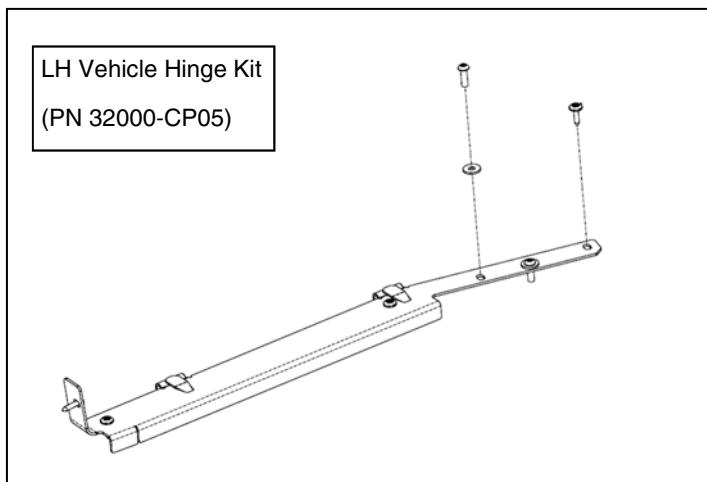
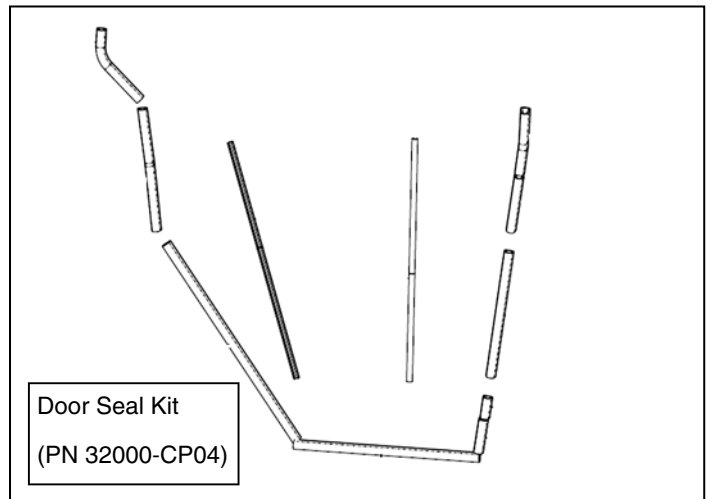
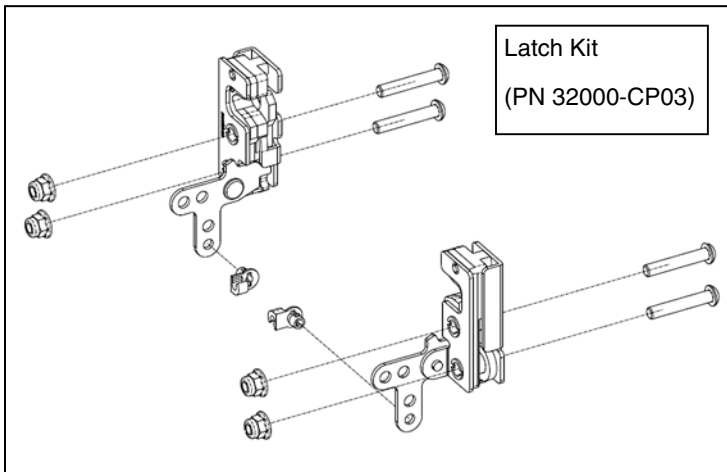
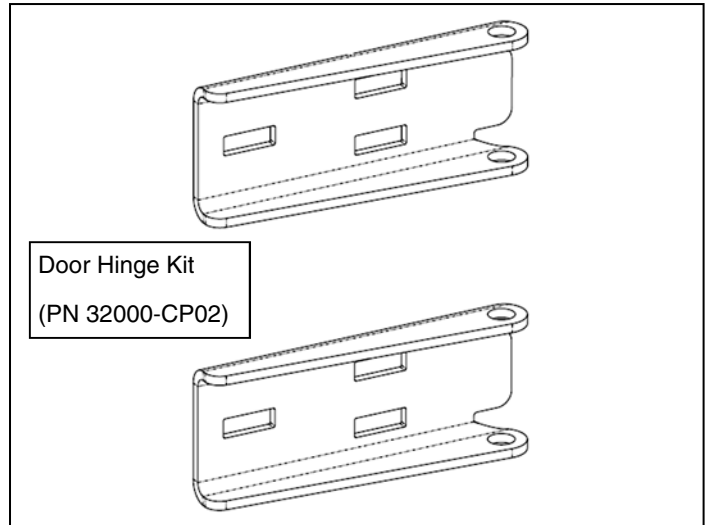
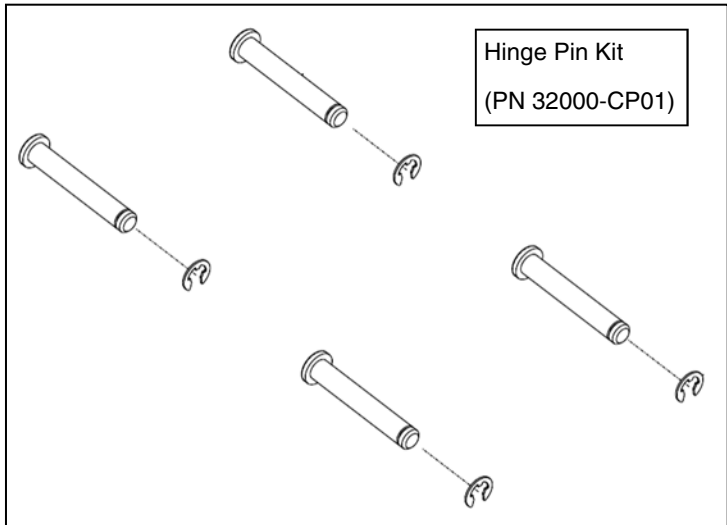


ITEM #14 M8 FASTENER TORQUE:
17 ft. lbs. (23.0 Nm)

14. Repeat steps 2-12 for RH Door Vehicle-Side Hinge, RH Door and RH Striker Bracket. **Note, RH Striker Bracket (item #9) needs to be installed under RH bolster bar as shown. (See illustration 1-13).**

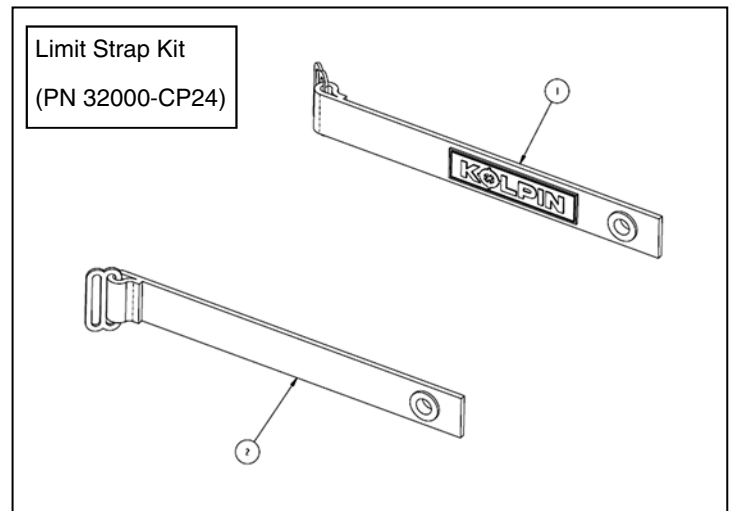
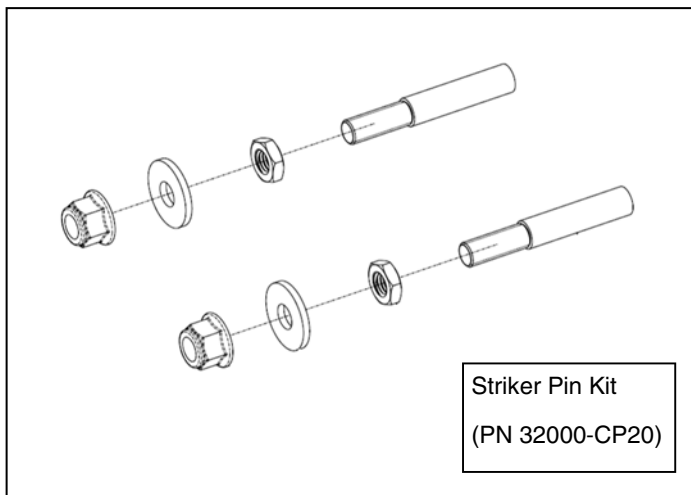
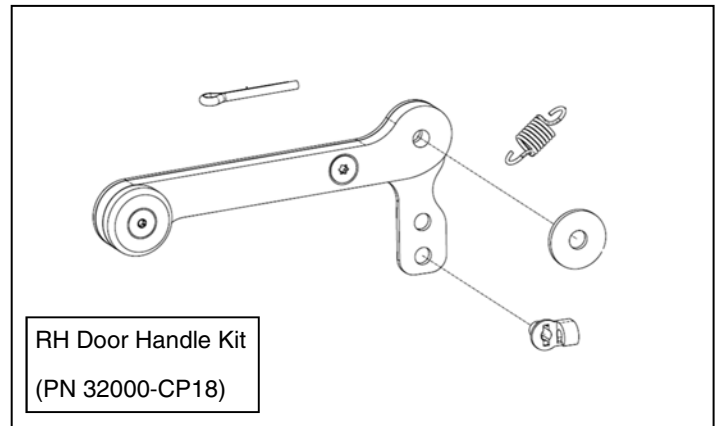
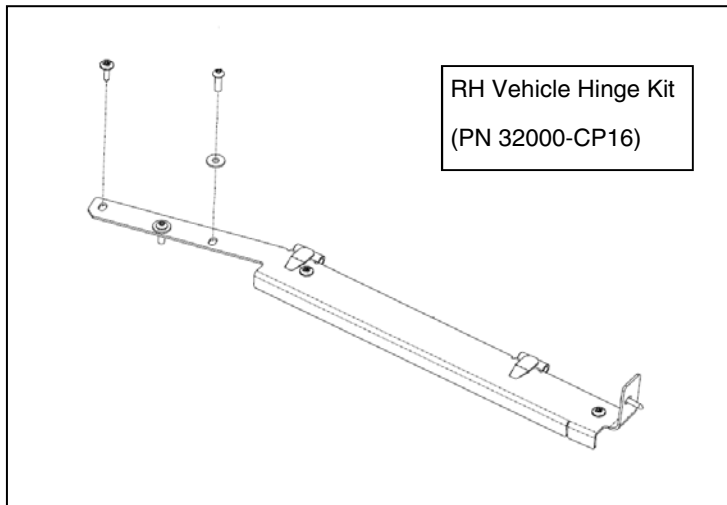


SERVICE KITS



SERVICE KITS

(continued)



For additional assistance, please contact Kolpin customer service department at (877) 956-5746 or (763) 478-5800 or email customerservice@kolpin.com

One Year Limited Warranty

For the period of one (1) year from the purchase date, Kolpin will replace for the original purchaser, free of charge, any part or parts found upon examination by Kolpin to be defective in material, workmanship, or both.

All transportation costs incurred submitting product to Kolpin for warranty consideration must be borne by the purchaser. If Kolpin determines that the product must be returned to the factory for credit, please call 1-877-956-5746 for a Return Merchandise Authorization (RMA) number and shipping instructions.

This warranty does not apply to parts that have been damaged by accident, alteration, abuse, improper maintenance, normal wear, or other causes beyond the manufacturer's control. In order to protect you and your ATV, certain parts of the accessory system and/or hardware are designed to fail when the equipment is over-stressed. Parts that are lost due to loosening and improper maintenance are not covered under warranty. This warranty does not cover removal or reinstallation labor fees of the door system and related components.

Peripheral products such as engines, electric motors, and actuators may carry an original manufacturer's warranty. Most hardware is general in nature and is easily obtained locally. Be sure to replace with minimum metric class 8.8 specification.