

# Polaris Ranger 500/570/EV Midsize Steel Roof



## Product Instructions | Part No: 29115

**Application:** Polaris Ranger Midsize 500/570/EV, verify accessory fitment at Kolpin.com.

**Before You Begin:** Read these instructions and check to be sure all parts and tools are accounted for. Please retain these installation instructions for future reference and parts ordering information.

**Note: If any hardware is missing, do not return to the store. Call us to help, Toll Free 1-877-956-5746.**

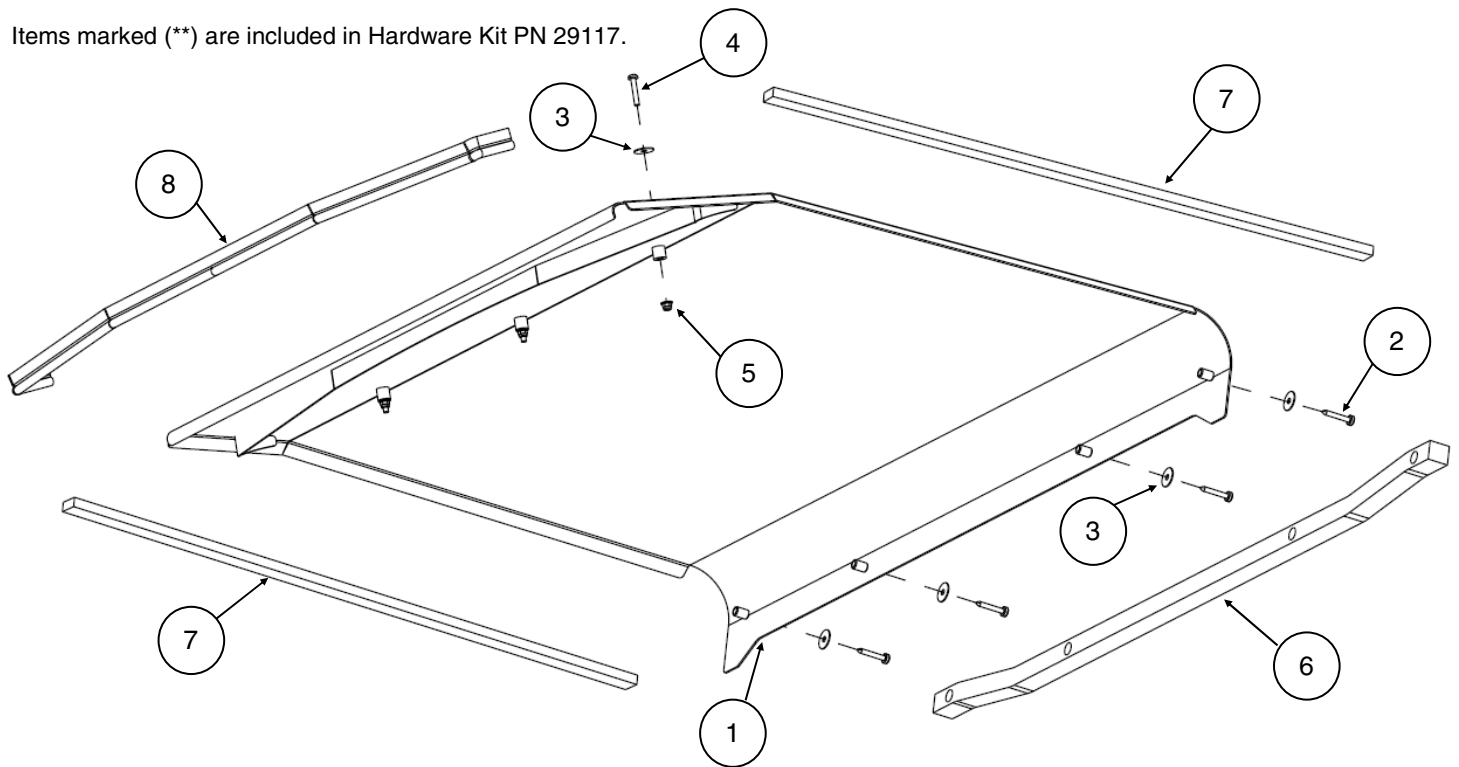
**Note: Two people are required to install this Roof Kit.**

This Kit includes:

Item	Qty	Part Description
1	1	RGR Midsize Roof
2**	4	Self-Start Screw, Zinc Plated, M6 x 1.0 - 40mm LG
3*	7	Flat Washer, Zinc Plated, M6
4*	3	Button Screw, Zinc Plated, M6-1.0 x 35mm LG
5*	3	Flange Locknut, Zinc Plated, M6-1.0
6*	1	Rear Foam Strip with holes
7*	2	Side Foam Strip
8*	1	Bulb Trim Seal
9	1	Instruction Guide (not shown)

Items marked (\*) are included in Hardware Kit PN 29116.

Items marked (\*\*) are included in Hardware Kit PN 29117.



### Tools Required:

- Socket Set, Metric
- Torx Bit Set
- Utility Knife/Cutting Tool
- Torque Wrench
- Metal Shears/Tin Snips

Kolpin Outdoors, Inc. | 9955 59th Ave N | Plymouth, MN 55442

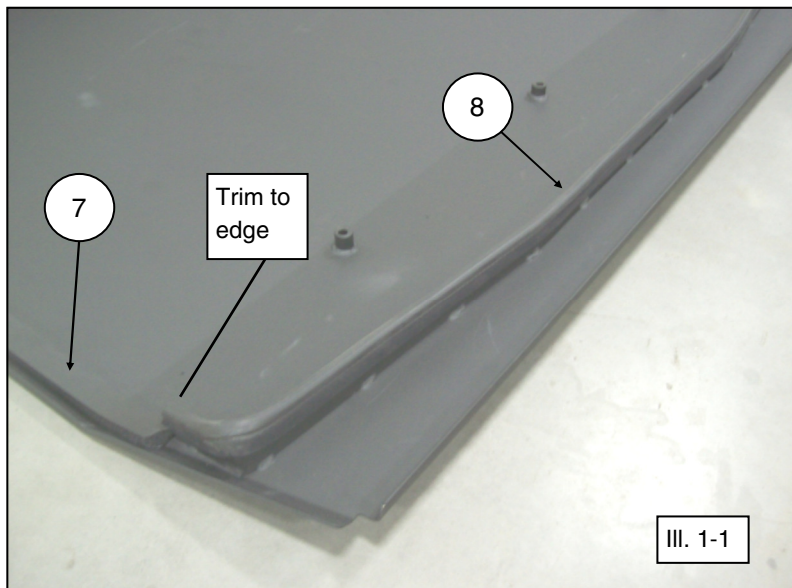
(877) 956-5746 or (763) 478-5800 | [www.kolpin.com](http://www.kolpin.com) | [customerservice@kolpin.com](mailto:customerservice@kolpin.com)

**Assembly Time:** Approximately 15 minutes

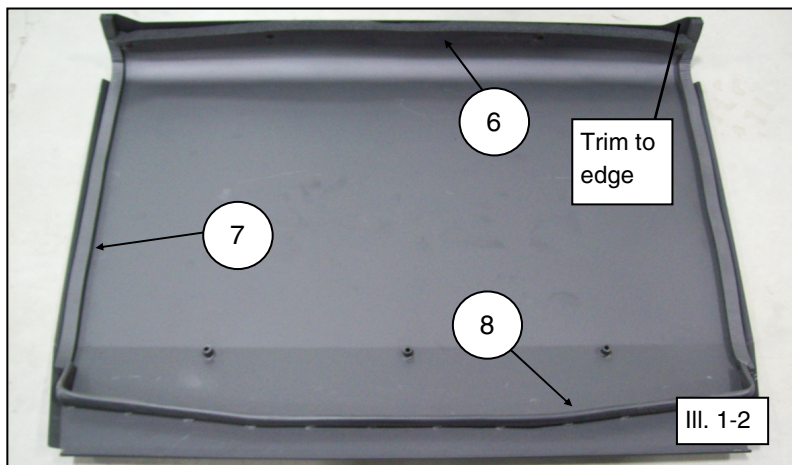
**Important:** Your Kolpin Steel Roof Kit is exclusively designed for your vehicle. Please read the installation instructions thoroughly before beginning. Installation is easier if the vehicle is clean and free of debris. For your safety, and to ensure a satisfactory installation, perform all installation steps correctly in the sequence shown. For better cab assembly procedure, install kits in the following order: front window, rear window, and roof.

**Installation Instructions:**

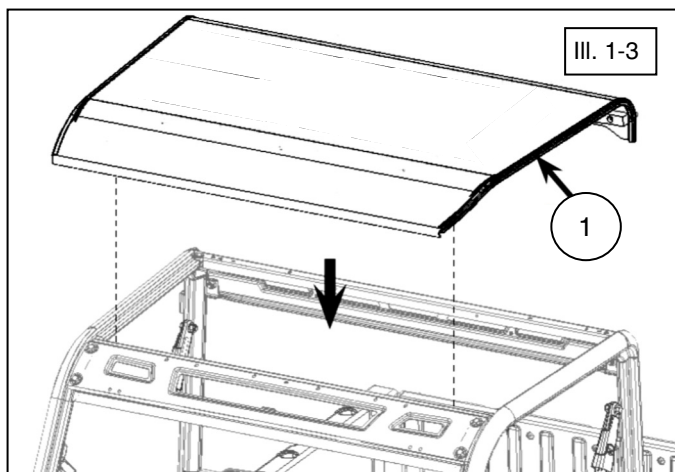
1. Shift vehicle transmission into "PARK". Turn key to "OFF" position and remove from vehicle.
2. Install the bulb trim seal (item #8) onto the front lower surface of the roof (item #1) as shown. Trim seal as required. (See illustration 1-1). **Note: The bulb trim seal has metal retainer strip, recommended cutting tool is metal shears/tin snips.**
3. Clean lower surface of roof (item #1) as required, then apply side foam strips (item #7) as shown. Trim seals as required. (See illustrations 1-1 and 1-2).



4. Apply rear foam strip (item #6) using the welded roof bushings and holes in strip to align along rear edge as shown. (See illustration 1-2).

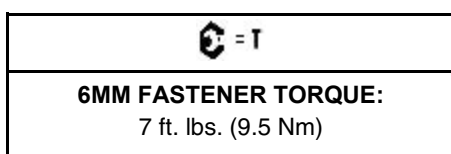
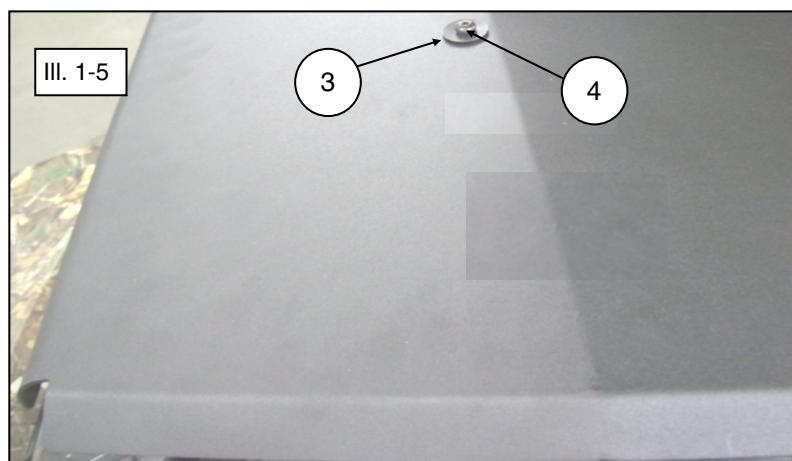
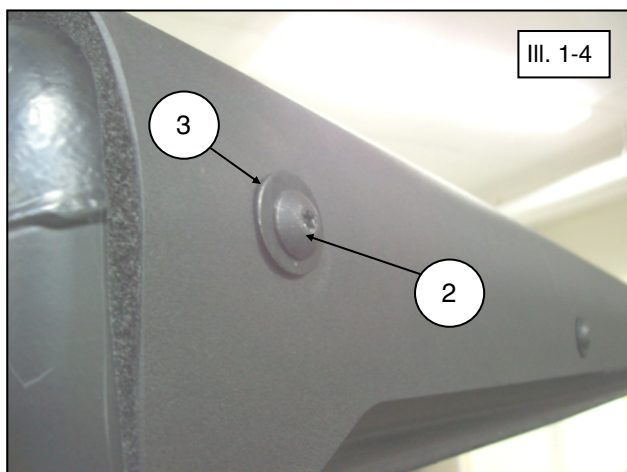


5. Place roof (item #1) on the top of the vehicle cab frame as shown. (See illustration 1-3).



## Installation Instructions (Continued):

- Secure the rear of the roof to the vehicle using the four long M6 self-starting screws (item #2) and M6 flat washers (item #3) as shown. (See illustration 1-4).  
**Note: Do not tighten hardware at this step since adjustments may be required later.**
- From the top surface, secure front of roof using three M6 screws (item #4) and M6 flat washers (item #3) as shown. (See illustration 1-5).
- From underneath roof, loosely fasten front screws that pass thru cab frame cross-member with M6 locknuts (item #5).
- Tighten all hardware to specification.



## Use and Care Information:

- Check the accessory mounts frequently and retighten hardware if necessary.
- Replace this accessory with a new one if it is damaged.
- Never use petroleum solvents such as gasoline, thinner, benzene, acid or alkaline cleaners.

For additional assistance, please contact Kolpin customer service department at (877) 956-5746 or (763) 478-5800 or email [customerservice@kolpin.com](mailto:customerservice@kolpin.com)

## One Year Limited Warranty

For the period of one (1) year from the purchase date, Kolpin will replace for the original purchaser, free of charge, any part or parts found upon examination by Kolpin to be defective in material, workmanship, or both.

All transportation costs incurred submitting product to Kolpin for warranty consideration must be borne by the purchaser. If Kolpin determines that the product must be returned to the factory for credit, please call 1-877-956-5746 for a Return Merchandise Authorization (RMA) number and shipping instructions.

This warranty does not apply to parts that have been damaged by accident, alteration, abuse, improper maintenance, normal wear, or other causes beyond the manufacturer's control. In order to protect you and your ATV, certain parts of the accessory system and/or hardware are designed to fail when the equipment is over-stressed. Parts that are lost due to loosening and improper maintenance are not covered under warranty. This warranty does not cover removal or reinstallation labor fees of the plow system and related components.

Peripheral products such as engines, electric motors, and actuators may carry an original manufacturer's warranty. Most hardware is general in nature and is easily obtained locally. Be sure to replace with minimum metric class 8.8 specification.