

Polaris Ranger XP 3 Seater - Poly Roof

Product Instructions | Part No: 27110

Application: Verify accessory fitment at Kolpin.com.

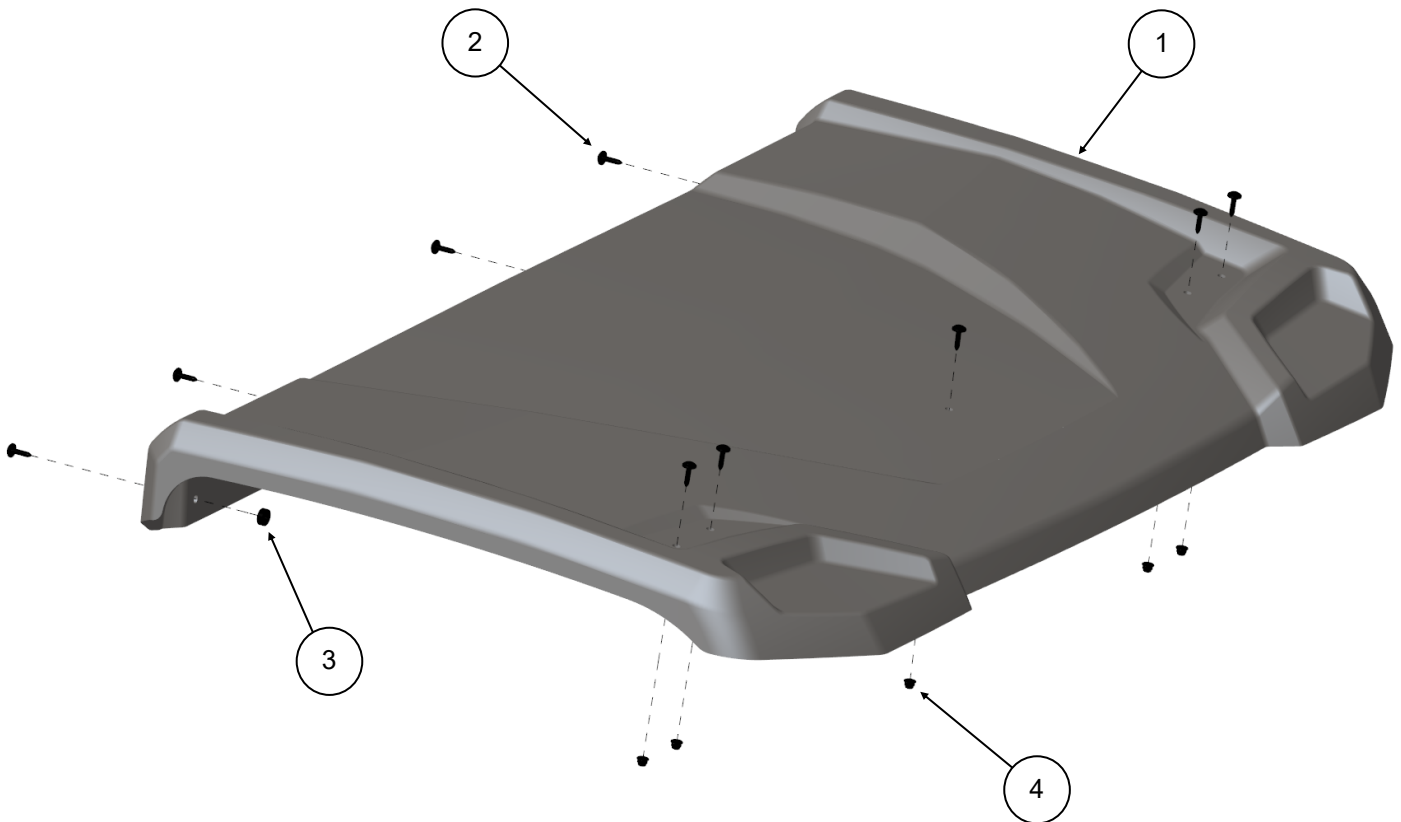
Before You Begin: Read these instructions and check to be sure all parts and tools are accounted for. Please retain these installation instructions for future reference and parts ordering information.

Note: If any hardware is missing, do not return to the store. Call us to help, Toll Free 1-877-956-5746.

This Product Includes:

Item	Qty	Part Description
1	1	Molded Roof
2*	9	Torx Screw - M6 x 25mm
3*	4	Nylon Spacer
4*	5	Flanged Locknut - M6

Items marked (*) are included in Hardware Kit P/N K100222.



Tools Required:

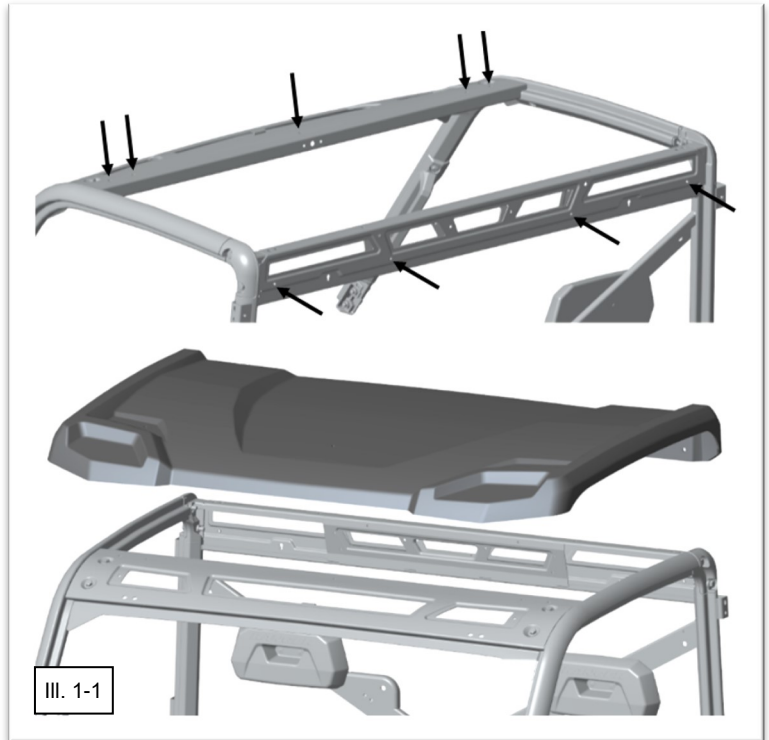
- 10mm Socket or Wrench
- T40 Torx Driver
- Torque Wrench

Assembly Time: Approximately 15 minutes

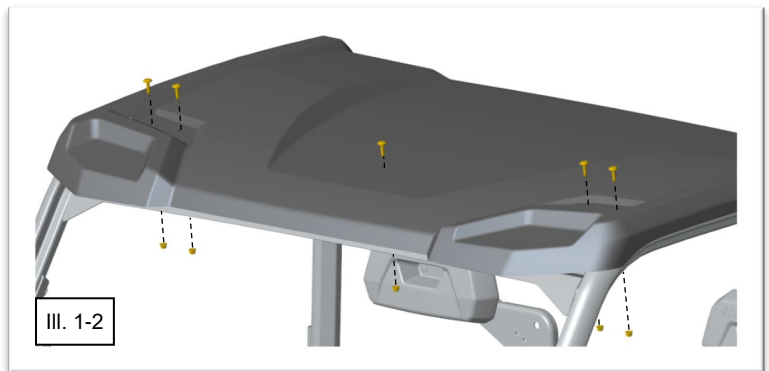
Important: This Kolpin Roof is exclusively designed for your vehicle. Please read the installation instructions thoroughly before beginning. Installation is easier if the vehicle is clean and free of debris. For your safety, and to ensure a satisfactory installation, perform all installation steps correctly in the sequence shown.

Installation Instructions:

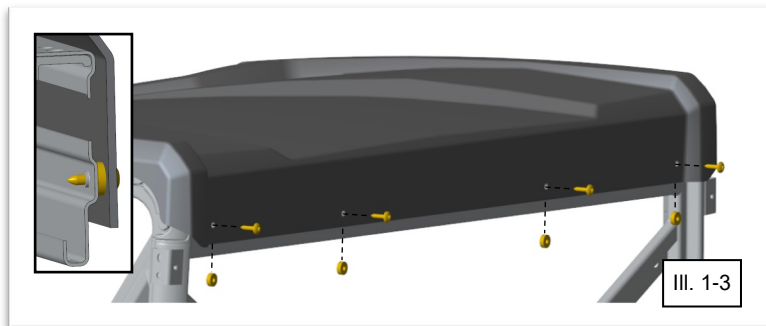
1. Shift vehicle transmission into "PARK". Turn key to "OFF" position and remove from vehicle.
2. Place Roof onto the roll cage and align the mounting holes. (See Illustration 1-1).



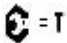
3. Loosely install the five M6 x 25mm Torx Screws (Item #2) and Flanged Lock Nut (Item #4) on the front mounting holes. Be sure not to cross thread fasteners. (See Illustration 1-2).



4. Loosely install the four M6 x 25mm Torx Screws (Item #2) and Nylon Spacers (Item #3) in the rear mounting holes. The Nylon Spacers go between the Poly Roof and the Roll Cage. The Torx Screws will self tap threads into the OEM holes in the roll cage. (See Illustration 1-3).



5. Align and center Roof to desired position before tightening hardware.
6. Tighten all hardware to specification.

 = T
FASTENER TORQUE: 5.5 ft. lbs. (66 in-lb) (7.5 Nm)

7. Re-inspect hardware after riding.

Use and Care Information:

- Check the accessory mounts frequently and retighten hardware if necessary.
- If transporting vehicle in a non-enclosed trailer, it's suggested to put vehicle facing forward to reduce the risk of accessory separating from vehicle.
- Avoid prolonged exposure to direct sunlight.
- Replace this accessory with a new one if it is damaged.
- Do not use brush while cleaning this accessory as it may leave scratches on the surface.
- Never use petroleum solvents such as gasoline, thinner, benzene, acid or alkaline cleaners.

For additional assistance, please contact Kolpin customer service department at (877) 956-5746 or (763) 478-5800 or email customerservice@kolpin.com.

One Year Limited Warranty

For the period of one (1) year from the purchase date, Kolpin will replace for the original purchaser, free of charge, any part or parts found upon examination by Kolpin to be defective in material, workmanship, or both.

All transportation costs incurred submitting product to Kolpin for warranty consideration must be borne by the purchaser. If Kolpin determines that the product must be returned to the factory for credit, please call 1-877-956-5746 for a Return Merchandise Authorization (RMA) number and shipping instructions.

This warranty does not apply to parts that have been damaged by accident, alteration, abuse, improper maintenance, normal wear, or other causes beyond the manufacturer's control. In order to protect you and your ATV, certain parts of the accessory system and/or hardware are designed to fail when the equipment is over-stressed. Parts that are lost due to loosening and improper maintenance are not covered under warranty. This warranty does not cover removal or reinstallation labor fees of the plow system and related components.

Peripheral products such as engines, electric motors, and actuators may carry an original manufacturer's warranty. Most hardware is general in nature and is easily obtained locally. Be sure to replace with minimum metric class 8.8 specification.