

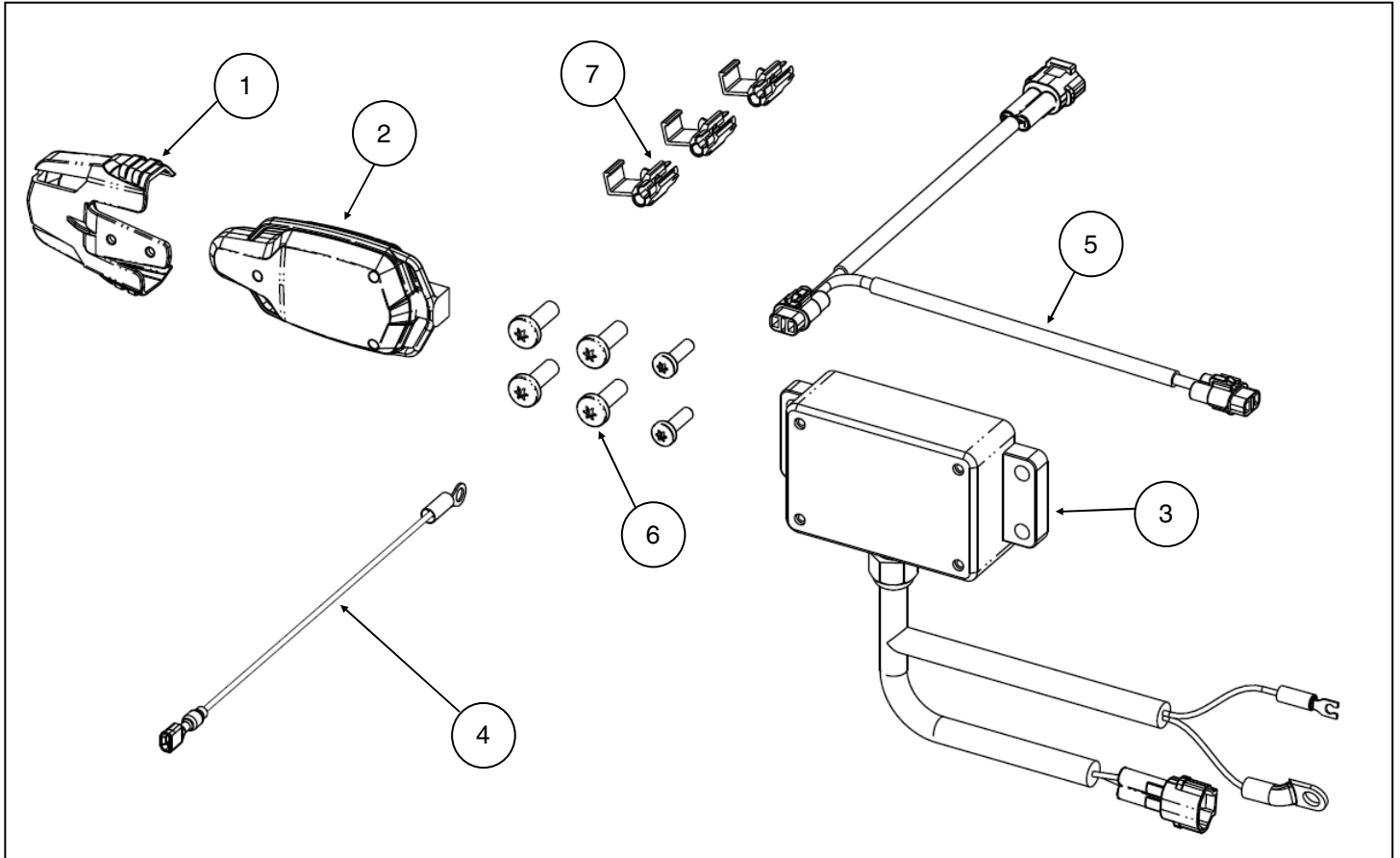
Wireless Winch Remote Kit

Product Instructions | Part No: 25-0500

Application: Verify accessory fitment at Kolpin.com.

Before You Begin: Read these instructions and check to be sure all parts and tools are accounted for. Please retain these installation instructions for future reference and parts ordering information.

Note: If any hardware is missing, do not return to the store. Call us to help, Toll Free 1-877-956-5746.



This Kit includes:

Item	Qty	Part Description	Part Number
1	1	Holder, Wireless Winch Remote	-
2	1	Remote, Universal Wireless Winch (with 23A battery installed)	-
3	1	Receiver, Universal Wireless Winch	-
4	1	Wire Jumper, Ring Terminal	-
5	1	Y-Harness, Universal Wireless Winch	-
6	6	Button Screw, Zinc Plated, #10 x 3/4" LG, T25 Torx Drive	-
7	3	Scotch Lock Splice Connector	-
8	1	Instruction Guide (not shown)	-
-	-	Replacement Service 23A/12V Battery (not included in kit)	-

Note: Depending on vehicle application, extra wire and/or hardware may be necessary.

Tools Required:

- Safety Glasses
- Drill or cutting tools for plastic
- Socket Set, Torx Bit
- Wire Cutters

Assembly Time: Approximately 30 minutes

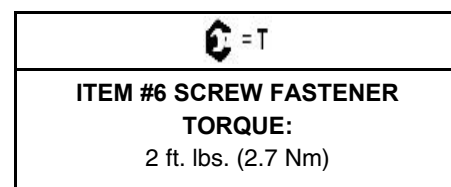
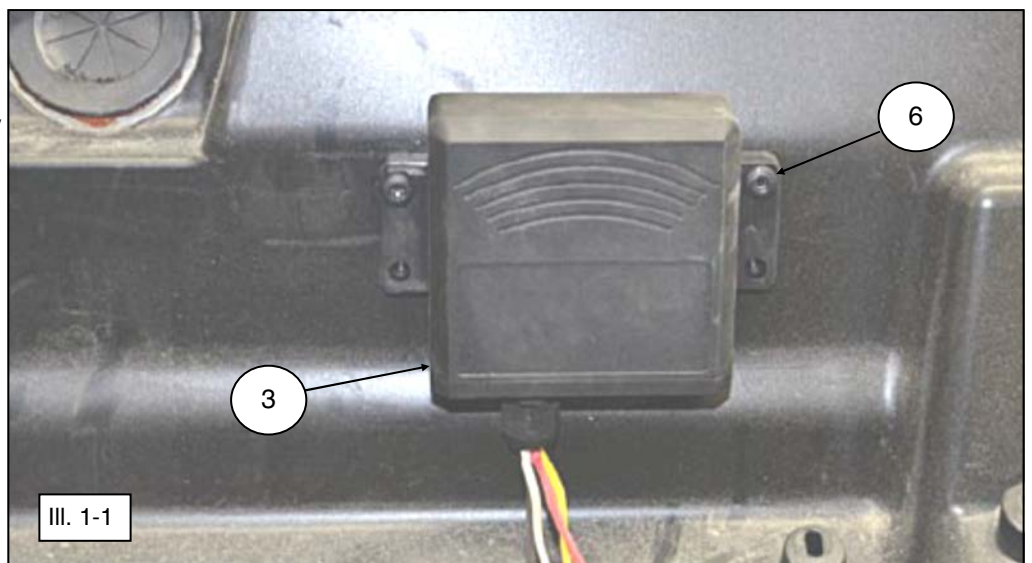
Note: The 25-0500 kit comes mostly assembled from the factory. Some assembly is required.

Important: Your Kolpin Wireless Winch Remote Kit is universally designed for your vehicle. Please read the installation instructions thoroughly before beginning. Installation is easier if the vehicle is clean and free of debris. For your safety, and to ensure a satisfactory installation, perform all installation steps correctly in the sequence shown. Additional time may be required to accommodate other installed accessories.

INSTALLATION AND USE OF WIRELESS WINCH REMOTE:

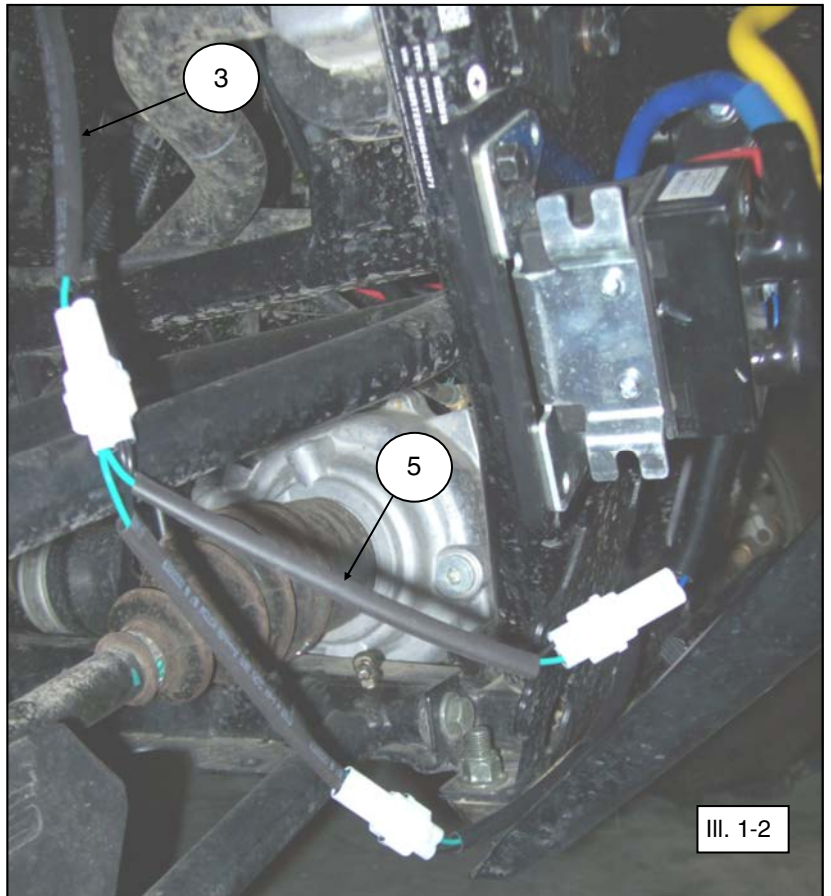
NOTE: See the *Electrical Connections Reference Guide* section of the instruction manual for detailed photos of each part and their respective connections.

1. Shift vehicle transmission into "PARK" or set the parking brake. Turn ignition key to "OFF" position and remove from vehicle ignition.
2. Determine the mounting location for wireless receiver (item #3). Remove the hood from vehicle to gain access or locate flat plastic wall to install wireless receiver using minimum of two screws (item #6) as shown. Pre-drill the hole location for screws using 1/4" (5mm) diameter drill bit. (See illustration 1-1). **Note, wireless receiver can be mounted on a frame tube using plastic cable ties (not provided).**
3. From the wireless receiver (item #3), connect the two wires (black and orange) with ring terminals to the corresponding posts on the bus bar (for vehicles equipped). The black wire connects to vehicle ground. The orange wire connects to vehicle 12V keyed accessory power. **Note, scotch lock splice connectors (item #7) are provided as optional methods of universally connecting to non-Kolpin winch harnesses.**

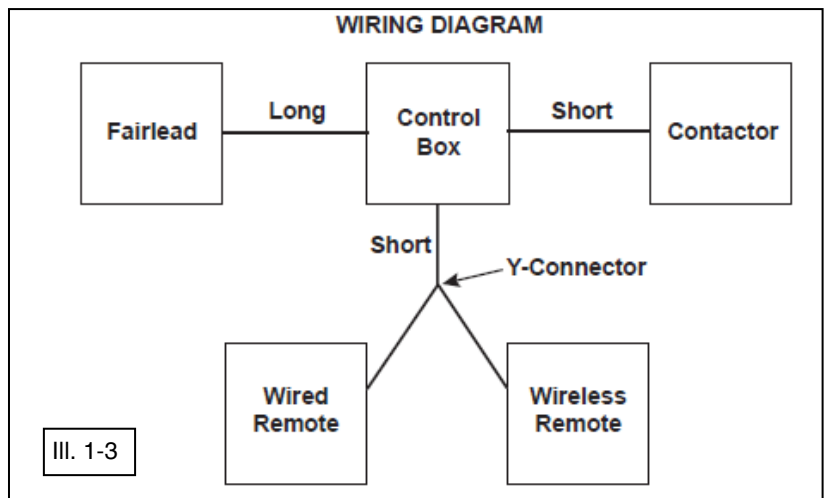


INSTALLATION AND USE OF WIRELESS WINCH REMOTE (continued):

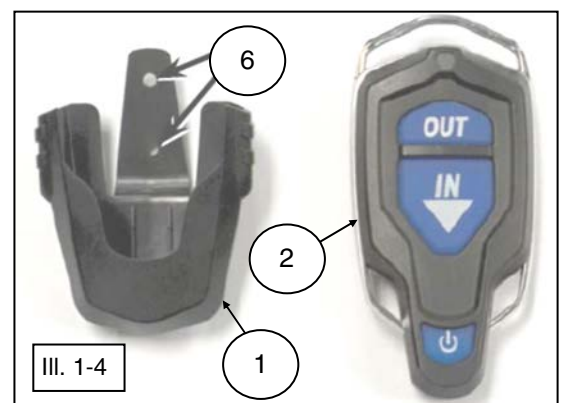
4. Connect the white connector of wireless receiver to corresponding white connectors of Y-harness (item #5) then to the contactor white connector and optional winch control switch white connector as shown. (See illustration 1-2). **Note, scotch lock splice connectors (item #7) are provided as optional methods of universally connecting to non-Kolpin winch harnesses.**
5. See wiring diagram for the order in which parts should be connected. (See illustration 1-3). **Note, diagram shows optional auto-stop fairlead.**
6. Using two more screws (item #6), secure the remote holder (item #1) to the vehicle on a vertical surface. Recommended placement is inside the glovebox to prevent loss of remote (item #2) in extreme driving conditions. (See illustration 1-4).
7. Confirm that all wiring is correct and confirm that there are no exposed wires or terminals.
8. All loose wires need to be wrapped tight, and secured away from moving parts and heat sources.
9. With vehicle key in the ON position, check winch for proper operation.
10. To use the remote, first remove the remote from the holder. Press and hold the "on" button located at the bottom of the remote until the LED light at top turns on. Use the wireless remote as you would a wired remote, making sure not to hold button after slack in cable is gone. Holding the button for too long can damage the winch and the fairlead and lead to premature cable or rope breakage. **Note, the remote will power "off" after two minutes of no "out" or "in" button operation.**



III. 1-2



III. 1-3



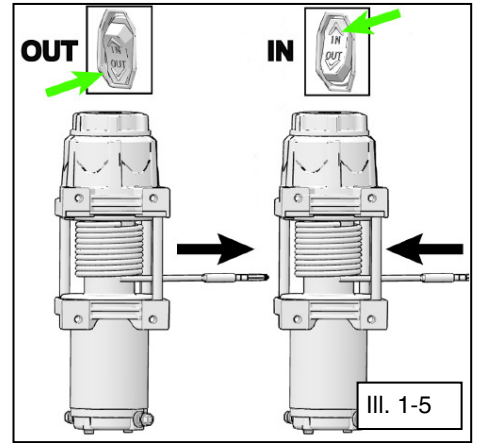
III. 1-4

SWITCH OPERATION:

When properly installed, the wireless remote switch allows you to operate the winch while seated on the vehicle or up to 50 feet (15m) away from the vehicle. Proper switch operation is shown. (See illustration 1-5).

REMOTE BATTERY SERVICE:

The remote uses a 23A / 12 V alkaline battery, similarly used for key fobs and garage door openers. To access the battery, use a #0 Phillips screwdriver tool or bit to remove the three small screws from back cover. Carefully separate the front and back remote covers to expose internals of remote. Then using the same #0 Phillips screwdriver tool, remove the two smaller screws to remove printed circuit board from remote front button cover. Replace the 23A battery with new battery of same type and reassemble the remote in reverse steps. (See illustrations below). **Note, battery service life is 1 year.**



For additional assistance, please contact Kolpin customer service department at (877) 956-5746 or (763) 478-5800 or email customerservice@kolpin.com

One Year Limited Warranty

For the period of one (1) year from the purchase date, Kolpin will replace for the original purchaser, free of charge, any part or parts found upon examination by Kolpin to be defective in material, workmanship, or both.

All transportation costs incurred submitting product to Kolpin for warranty consideration must be borne by the purchaser. If Kolpin determines that the product must be returned to the factory for credit, please call 1-877-956-5746 for a Return Merchandise Authorization (RMA) number and shipping instructions.

This warranty does not apply to parts that have been damaged by accident, alteration, abuse, improper maintenance, normal wear, or other causes beyond the manufacturer's control. In order to protect you and your ATV, certain parts of the accessory system and/or hardware are designed to fail when the equipment is over-stressed. Parts that are lost due to loosening and improper maintenance are not covered under warranty. This warranty does not cover removal or reinstallation labor fees of the plow system and related components.

Peripheral products such as engines, electric motors, and actuators may carry an original manufacturer's warranty. Most hardware is general in nature and is easily obtained locally. Be sure to replace with minimum metric class 8.8 specification.

ELECTRICAL CONNECTION REFERENCE GUIDE:

Winch with Roller Fairlead and Wireless Remote Switch

